



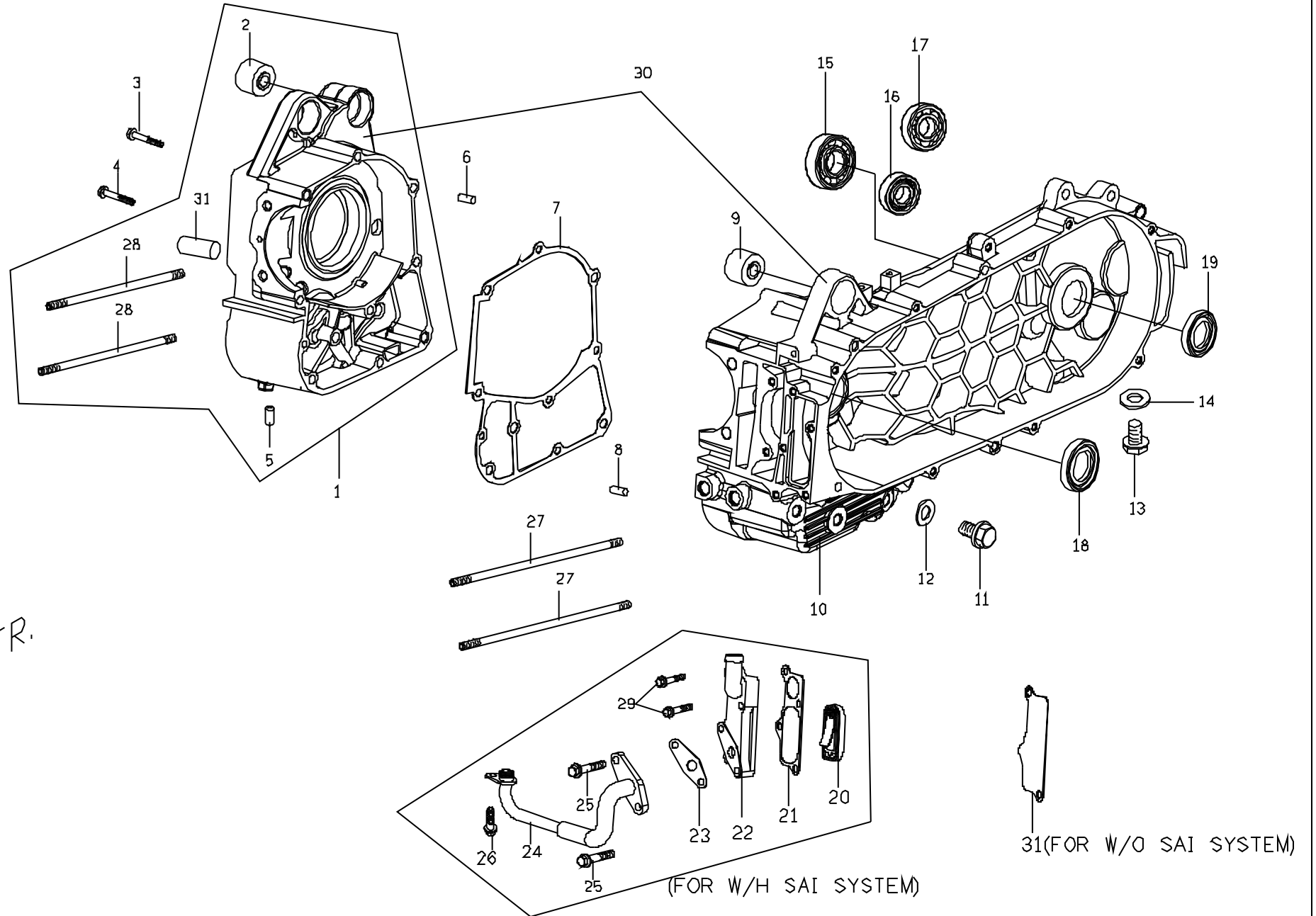
BUGRIDER-200 (EURO)
PARTS CATALOG



PRINTED IN AUGUST, 2006

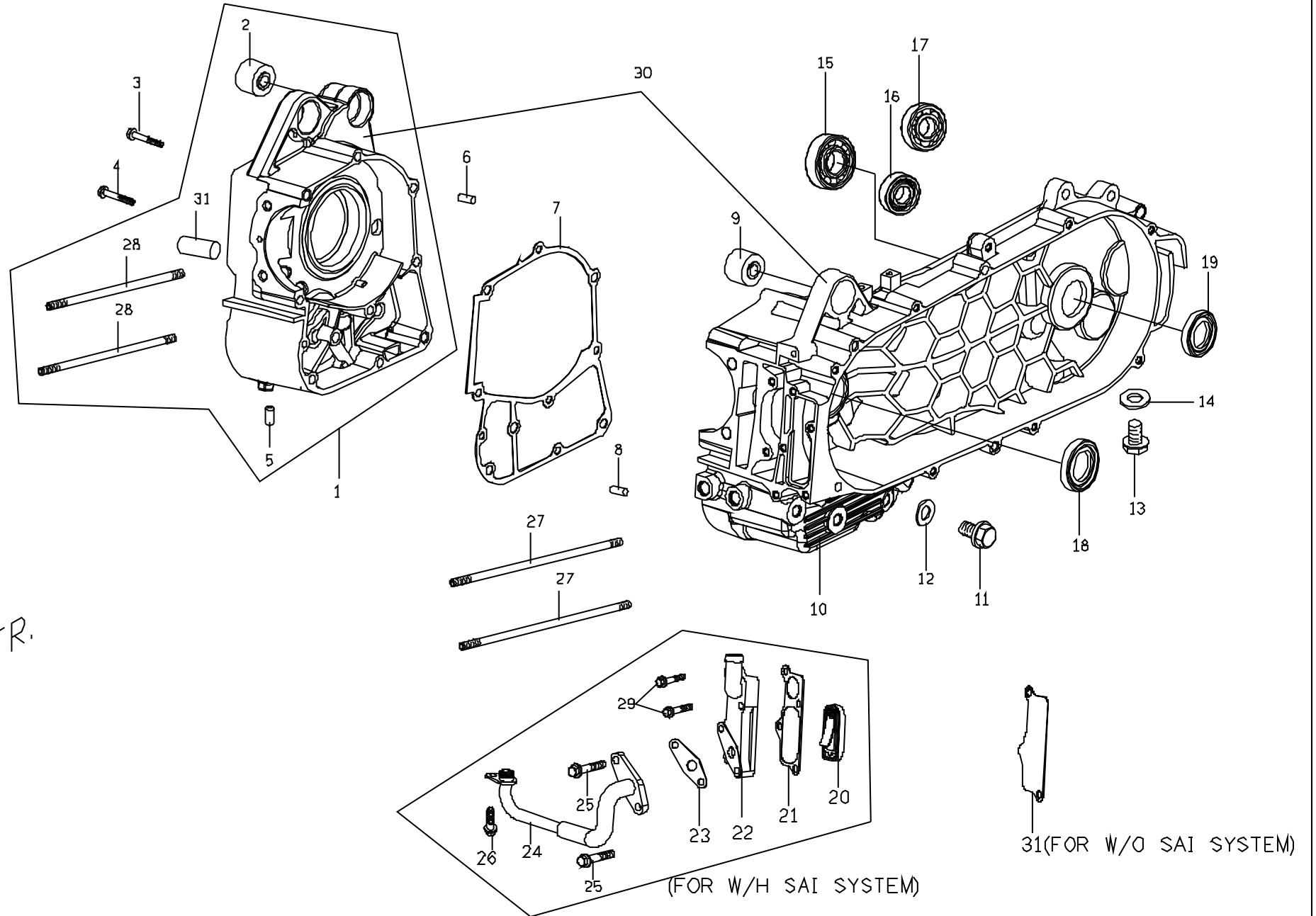
E1.

曲軸箱
CRANK CASE



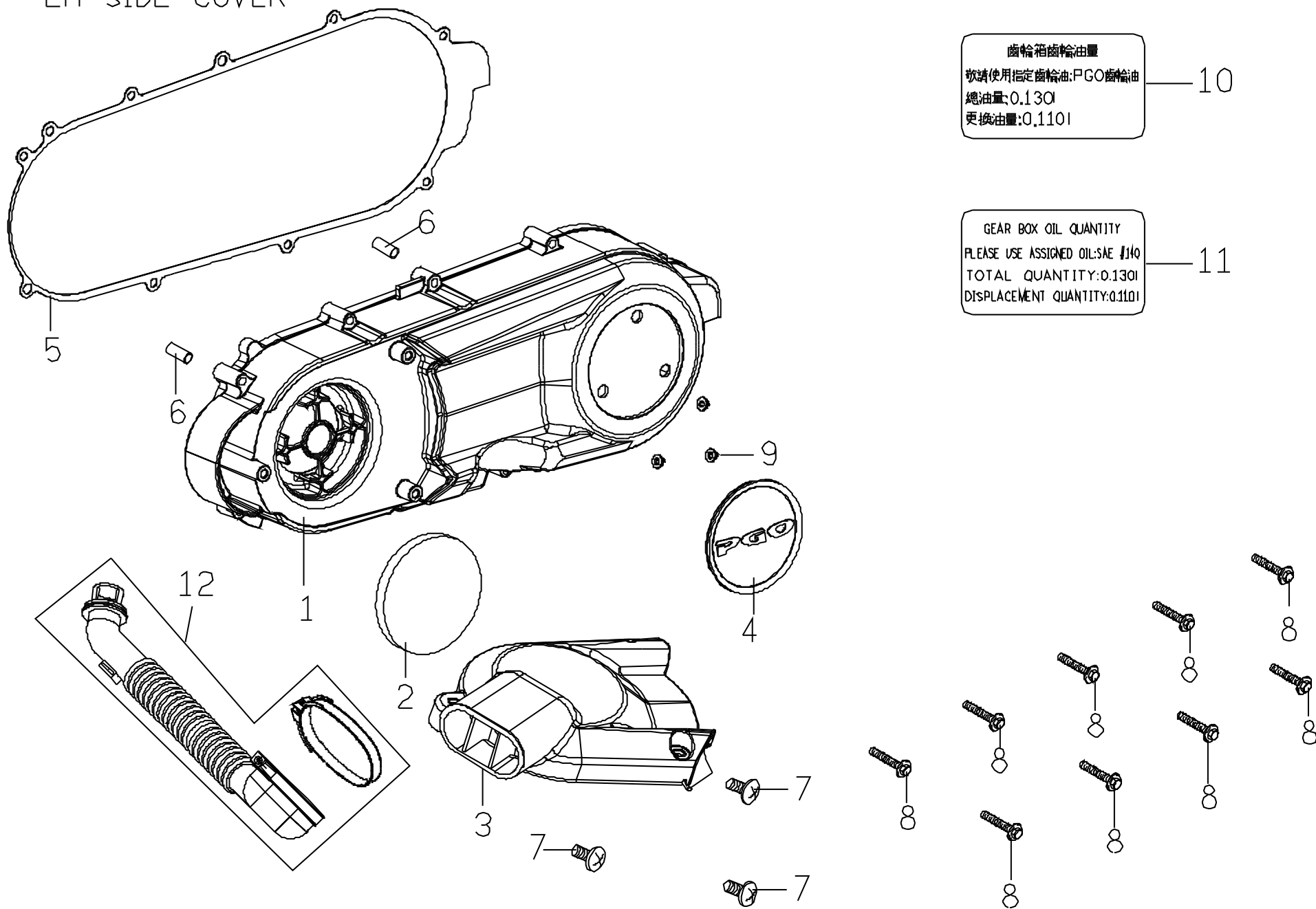
E1.

曲軸箱
CRANK CASE



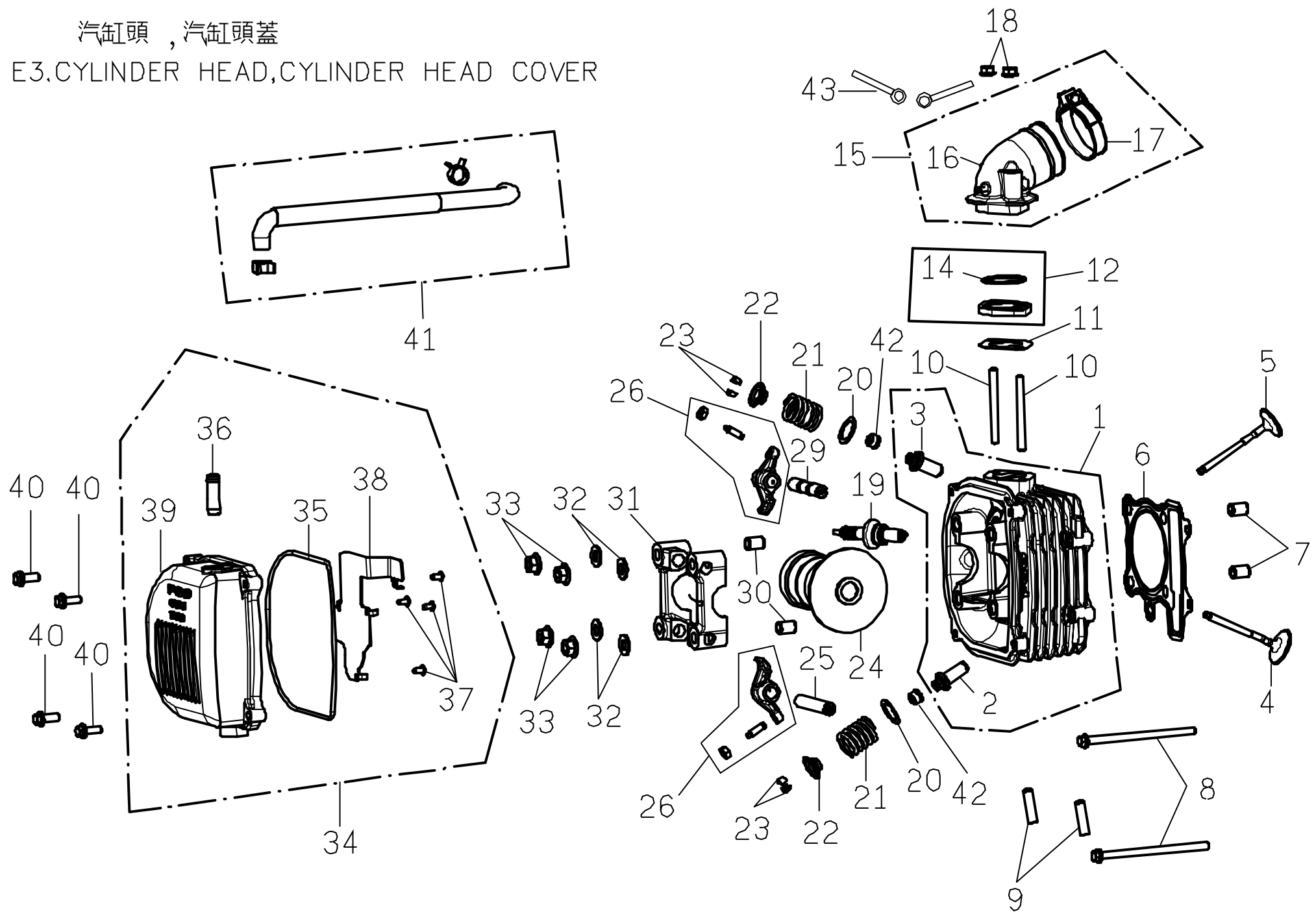
E2

左邊蓋
LH SIDE COVER



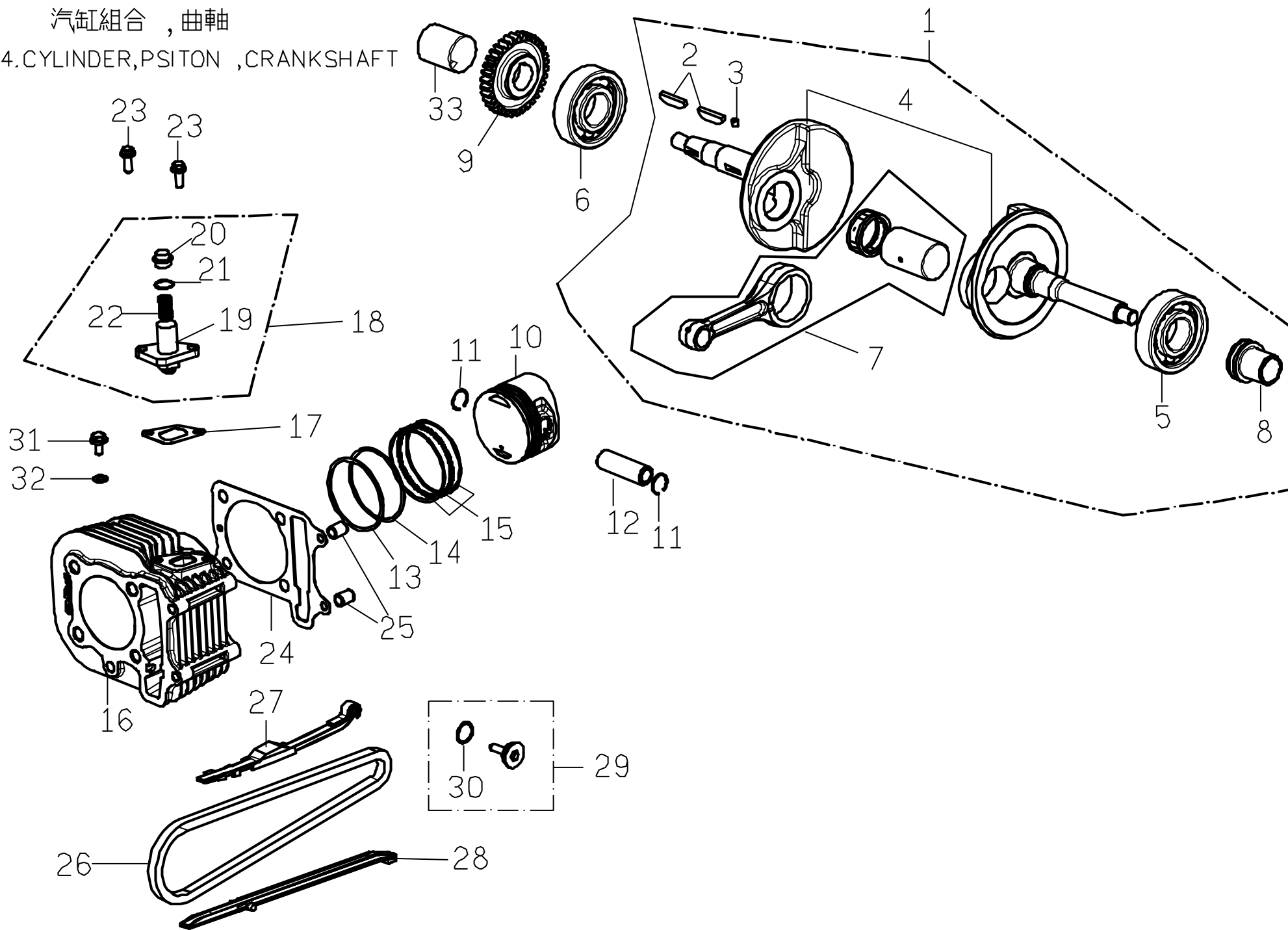
汽缸頭 , 汽缸頭蓋

E3.CYLINDER HEAD,CYLINDER HEAD COVER

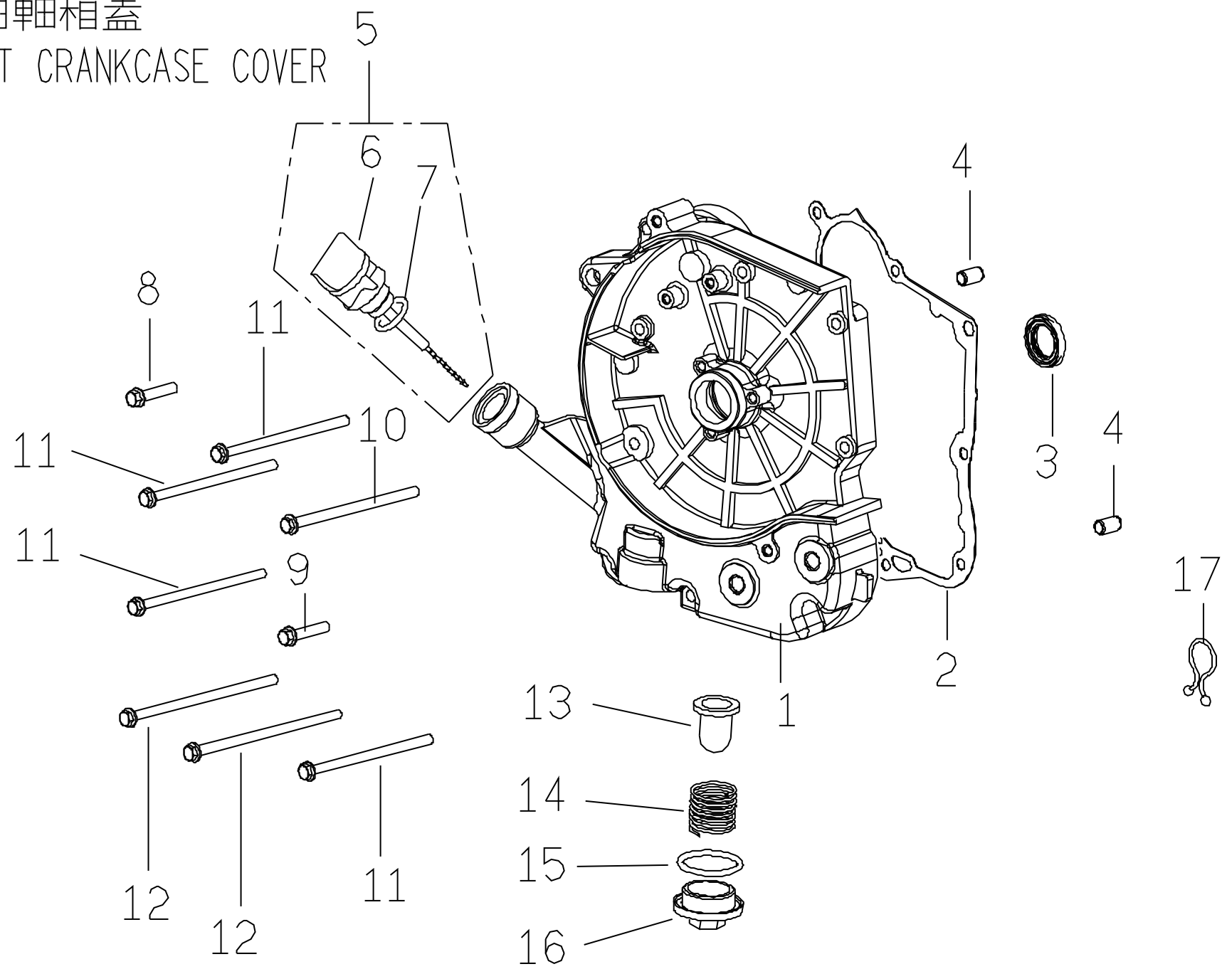


汽缸組合 , 曲軸

E4.CYLINDER,PSITON ,CRANKSHAFT

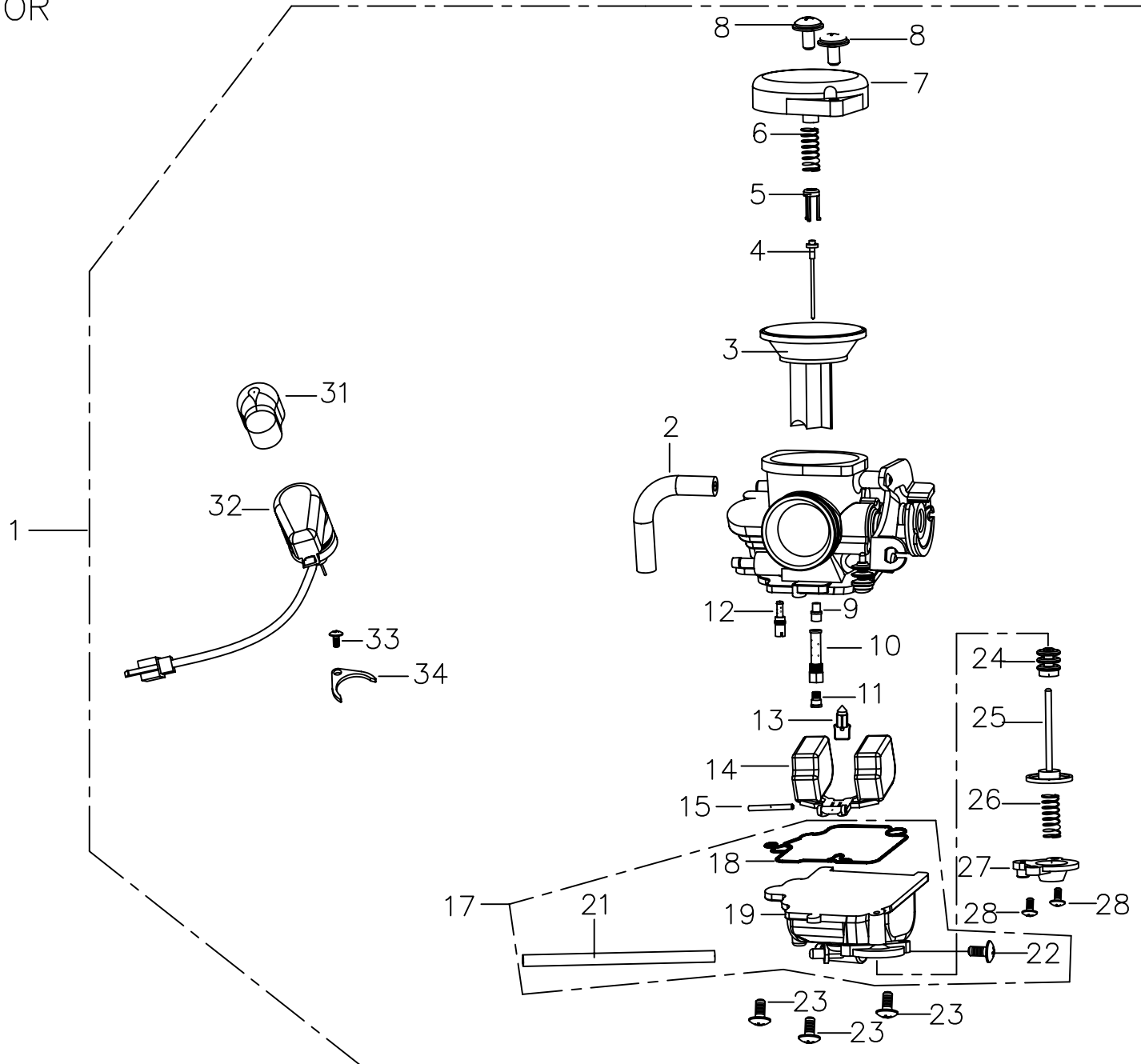


E5 右曲軸箱蓋
RIGHT CRANKCASE COVER



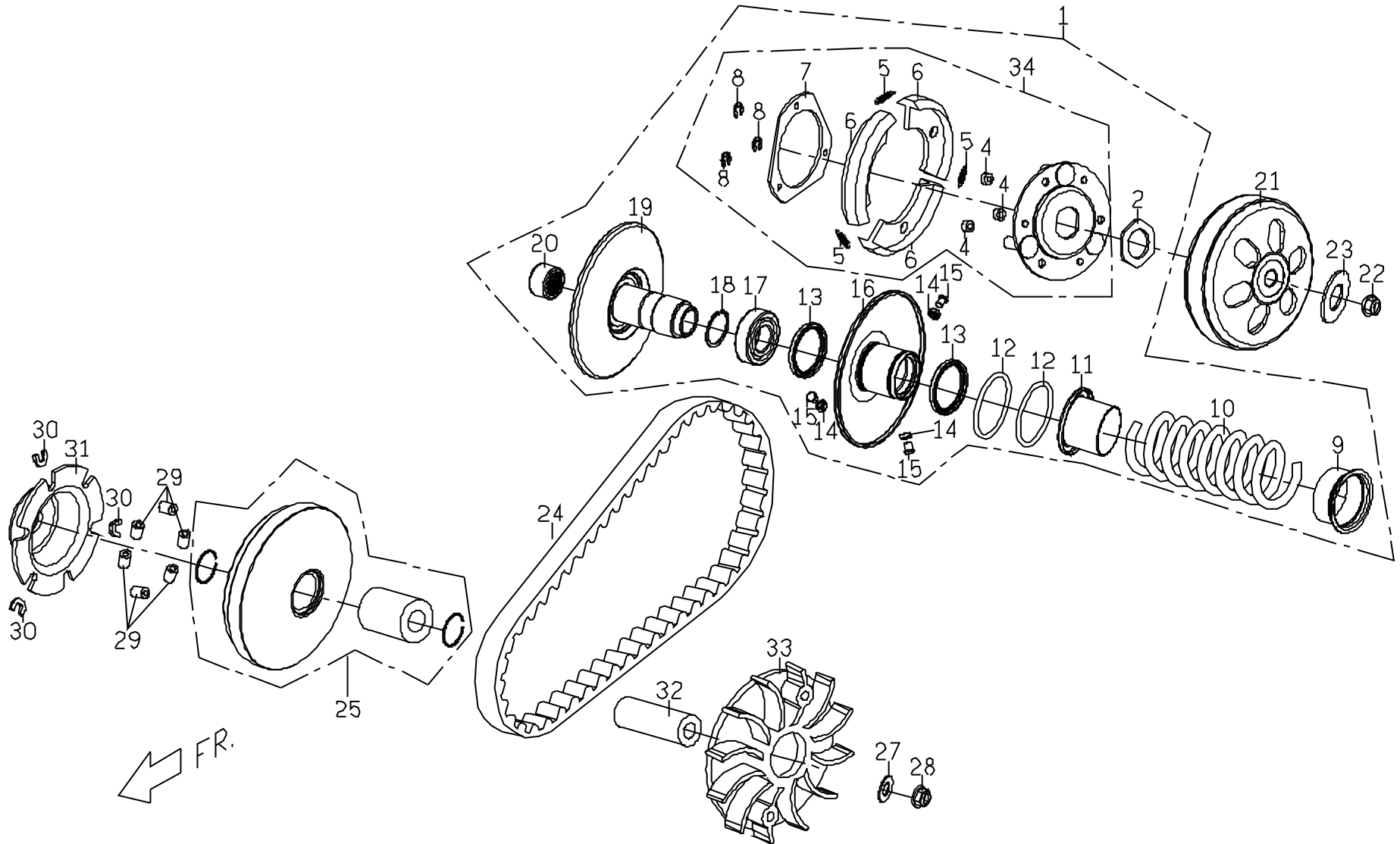
E6

化油器
CARBURETOR



E7 自動變速系統

CVT TRANSMISSION

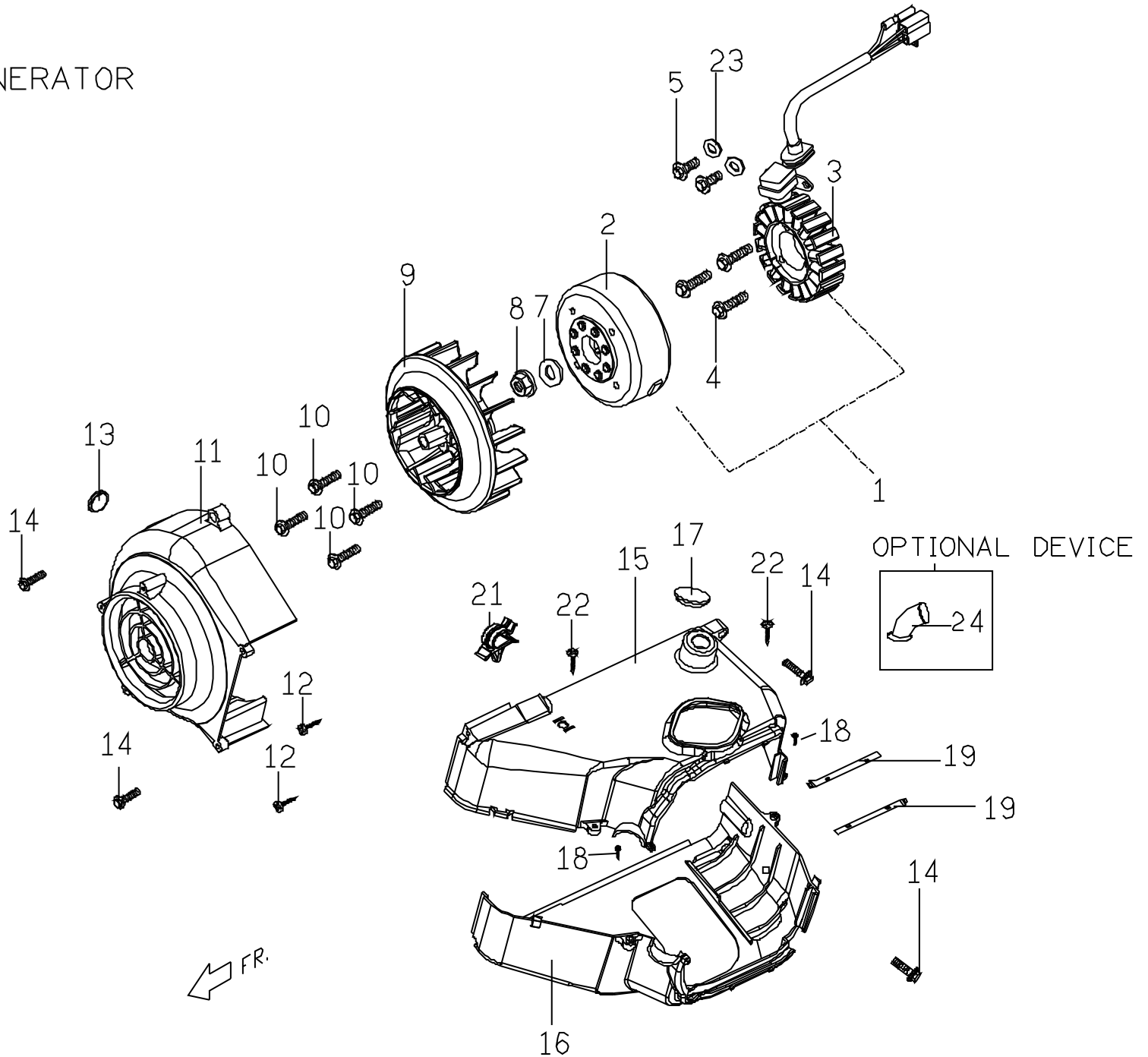


E8

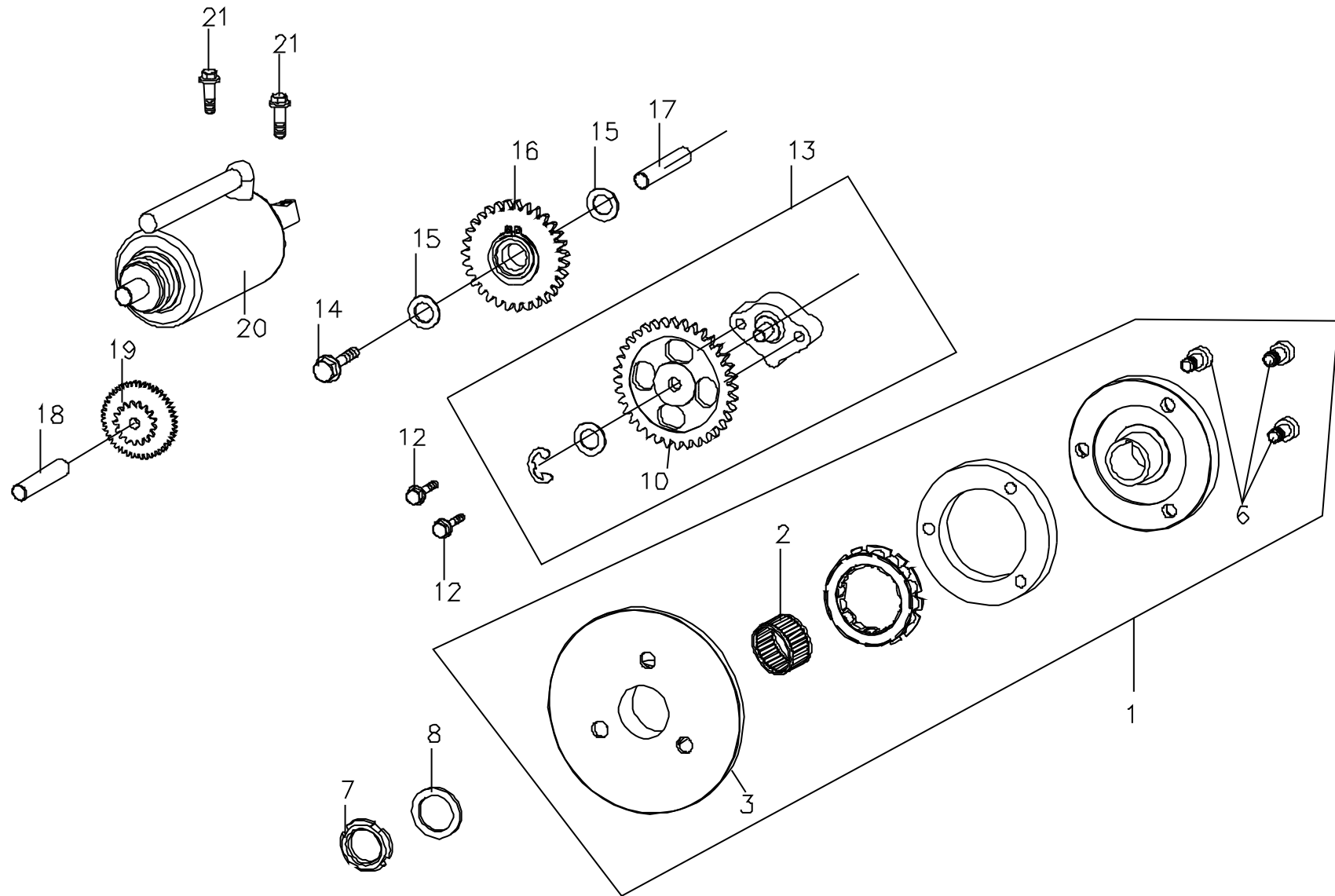
風扇蓋,發電機
FAN COVER, GENERATOR

引擎機油量
敬請使用指定機油:PCO四行程機油
總油量:1.40L
更換油量:1.00L
更換後請用機油尺再次確認機油量是否足夠
發動引擎三分鐘請再確認油量

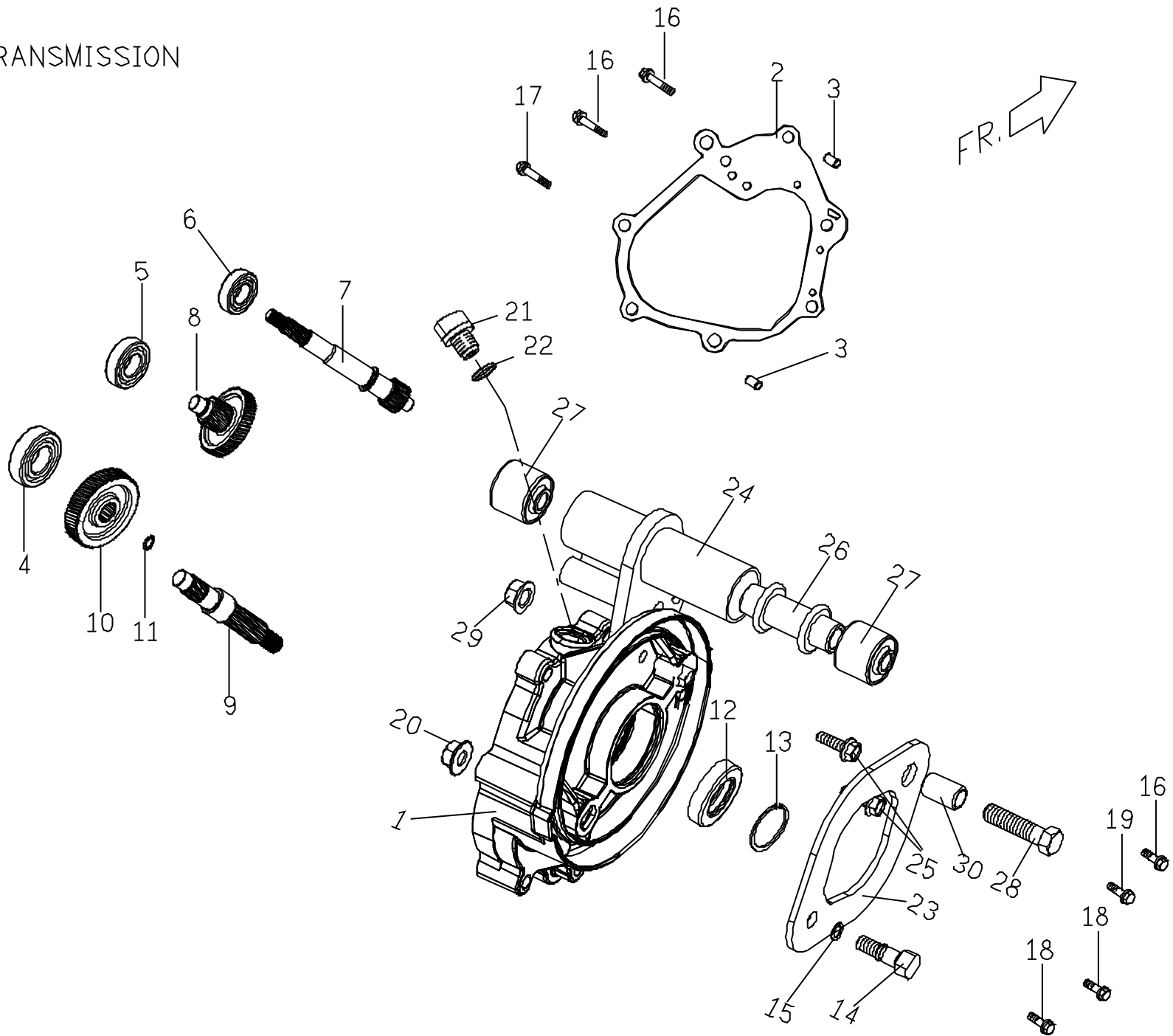
ENGINE OIL QUANTITY
PLEASE USE ASSIGNED OIL:SAE 15W40
TOTAL QUANTITY:1.40L
DISPLACEMENT QUANTITY:1.00L
AFTER DISPLACEMENT USE OIL LEVEL GAUGE
TO CHECK IF IT IS ENOUGH
CHECK OIL LEVEL IN CONDITION OFF CONDITION
AFTER 3 MINUTES OF RUNNING



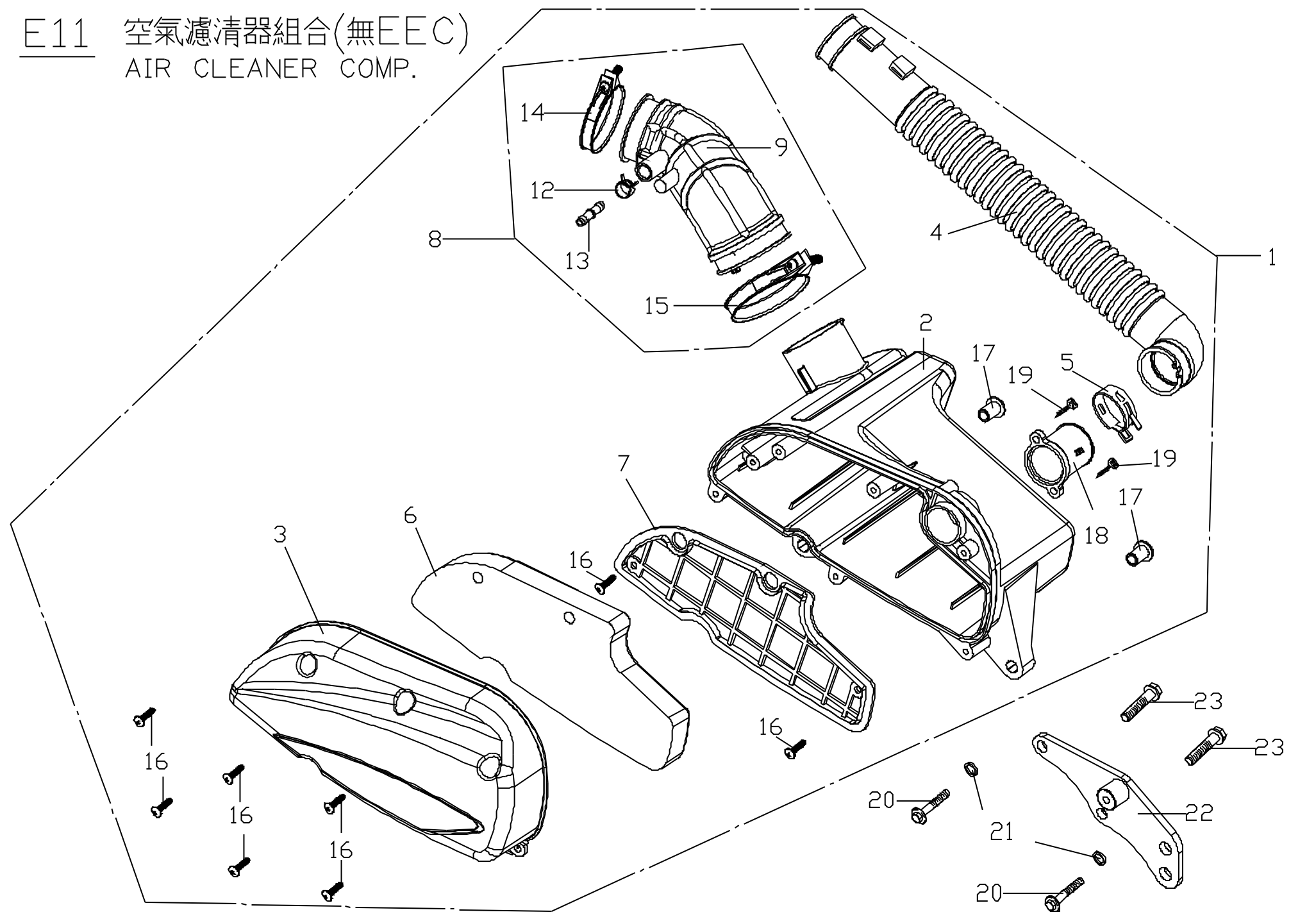
E9.
起動馬達, 機油泵
STARTING MOTOR. OIL PUMP



E10 TRANSMISSION

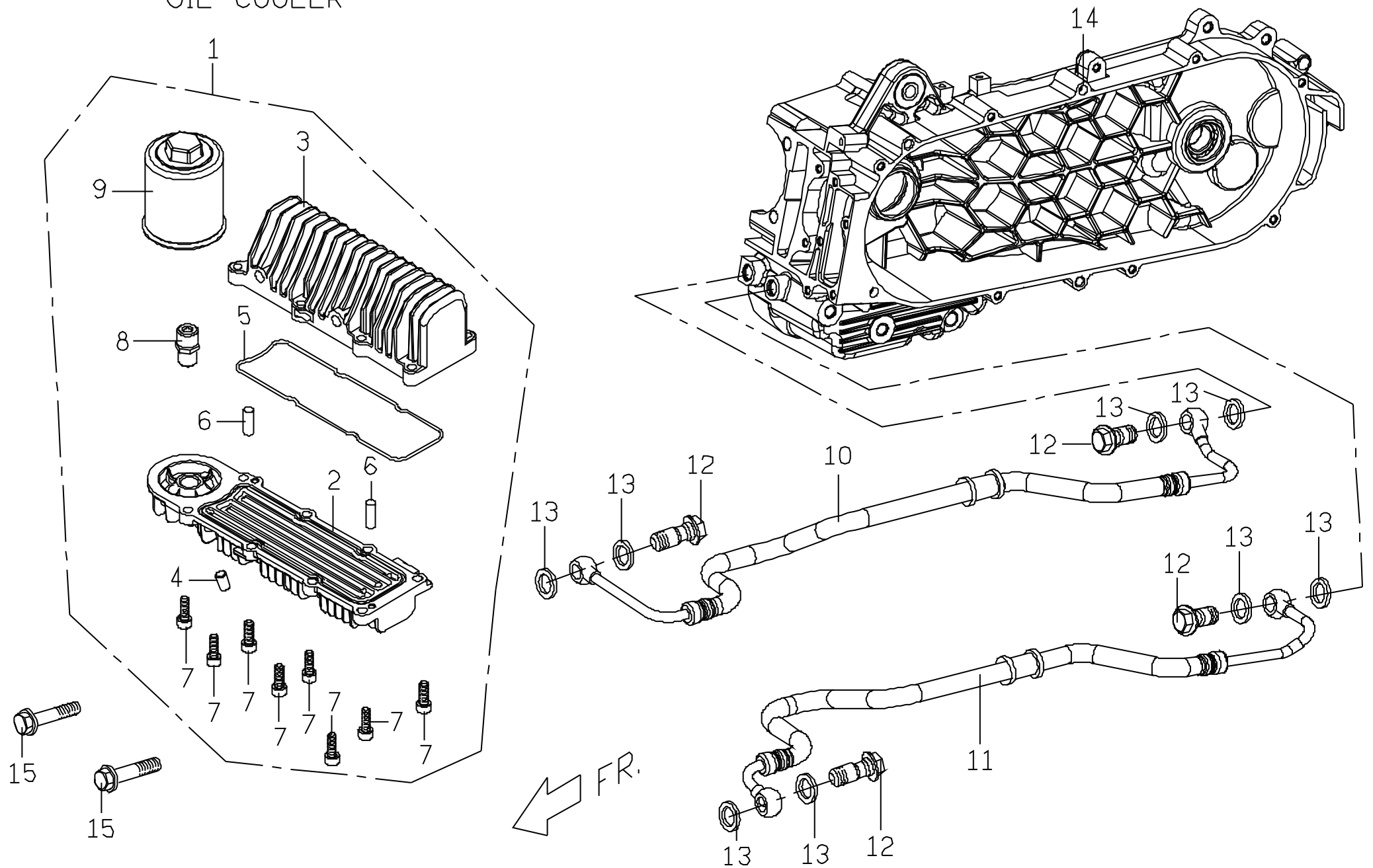


E11 空氣濾清器組合(無EEC)
AIR CLEANER COMP.



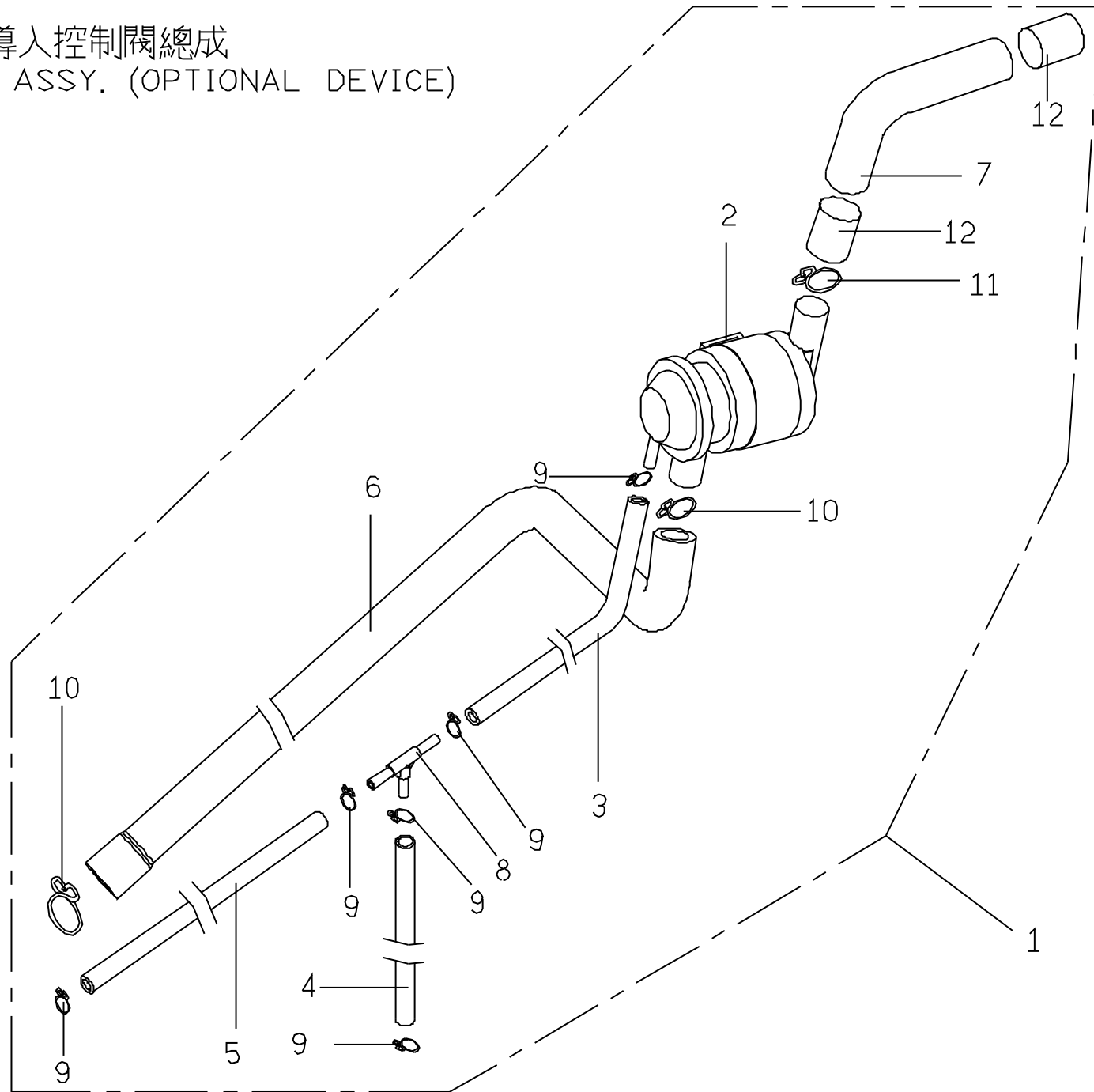
E12

機油冷卻器
OIL COOLER



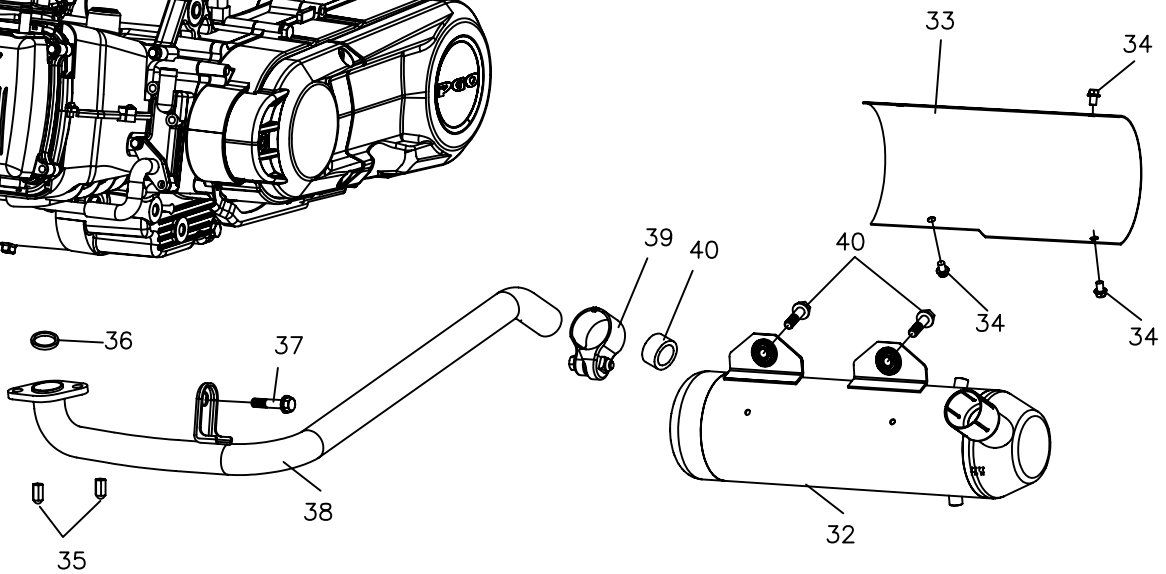
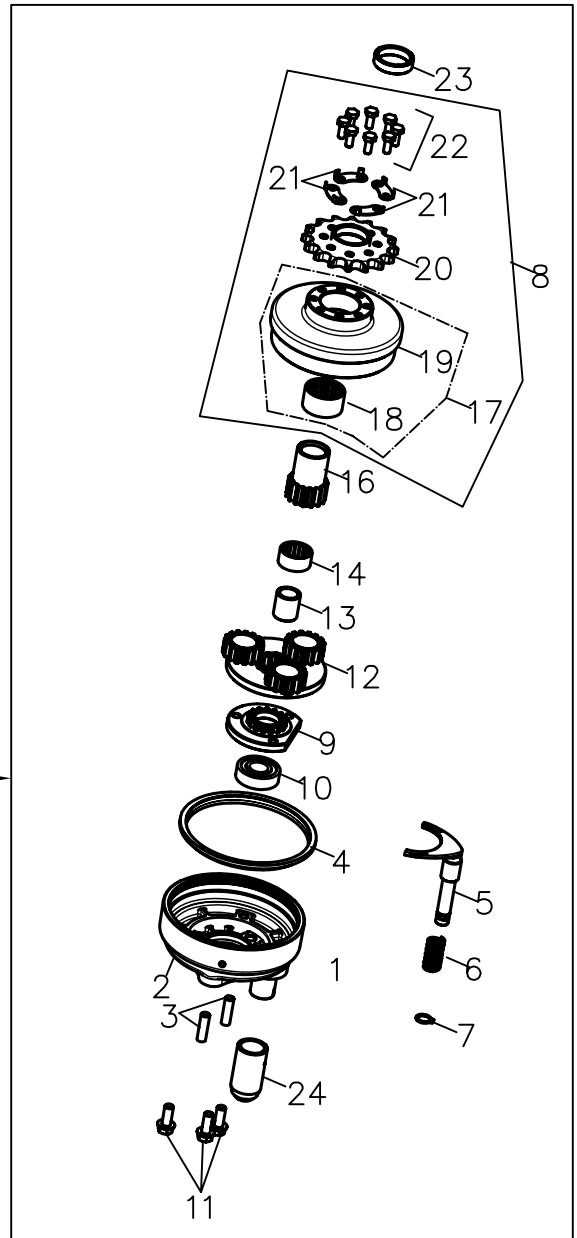
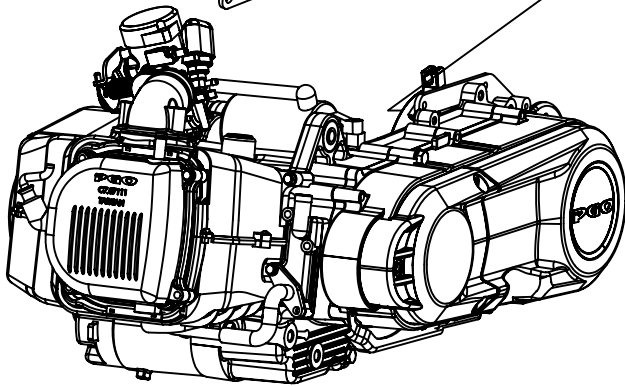
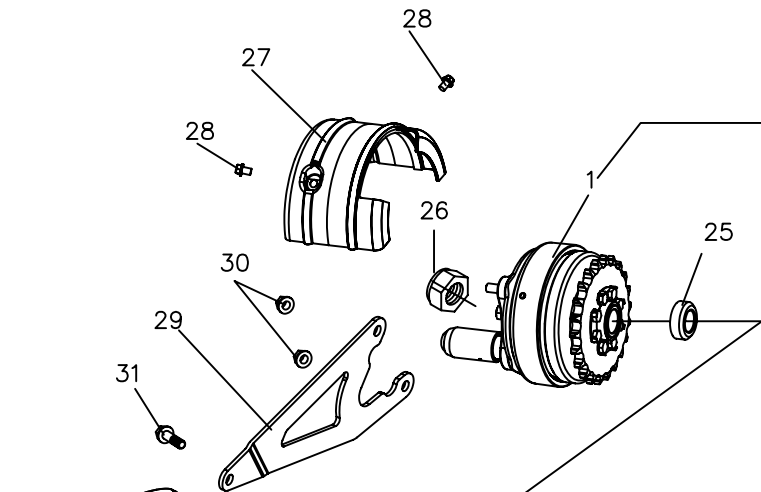
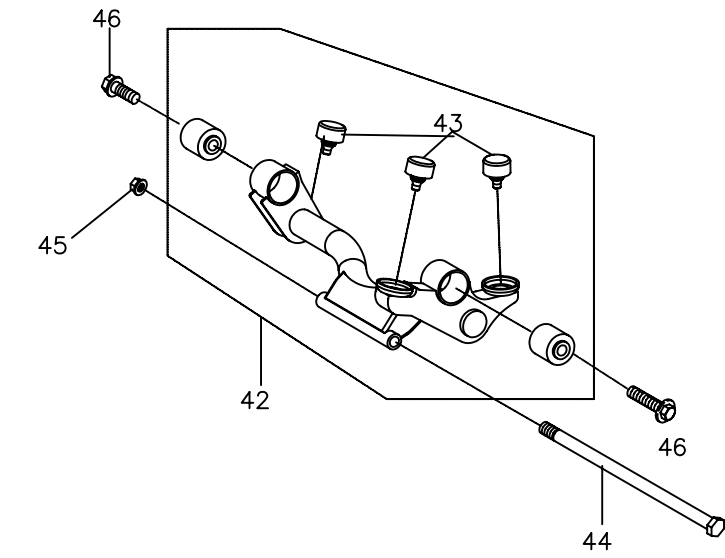
E13

空氣導入控制閥總成
AIAC ASSY. (OPTIONAL DEVICE)

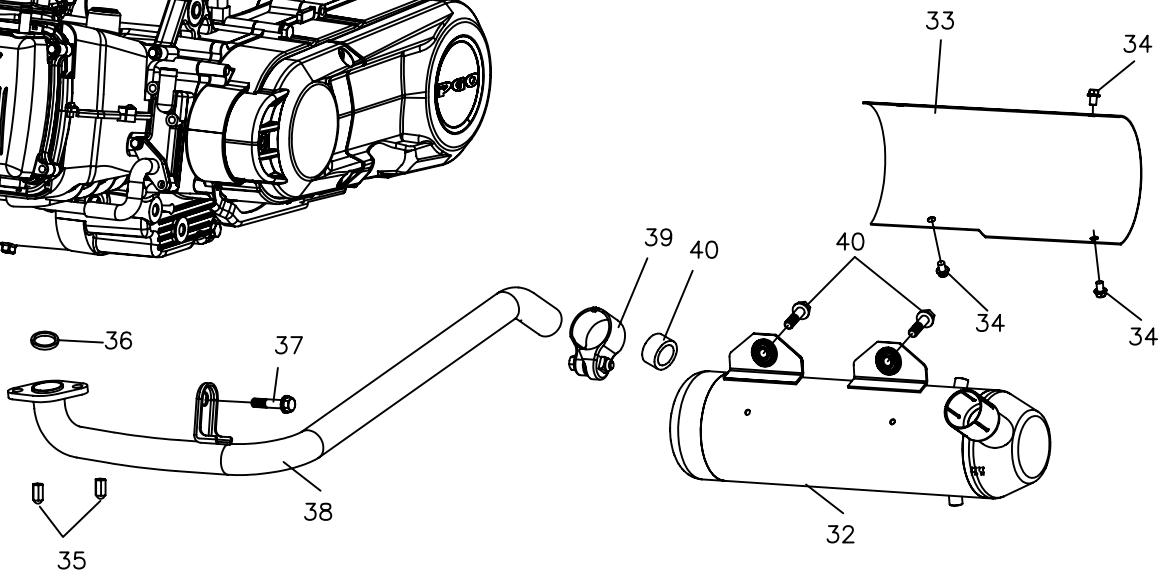
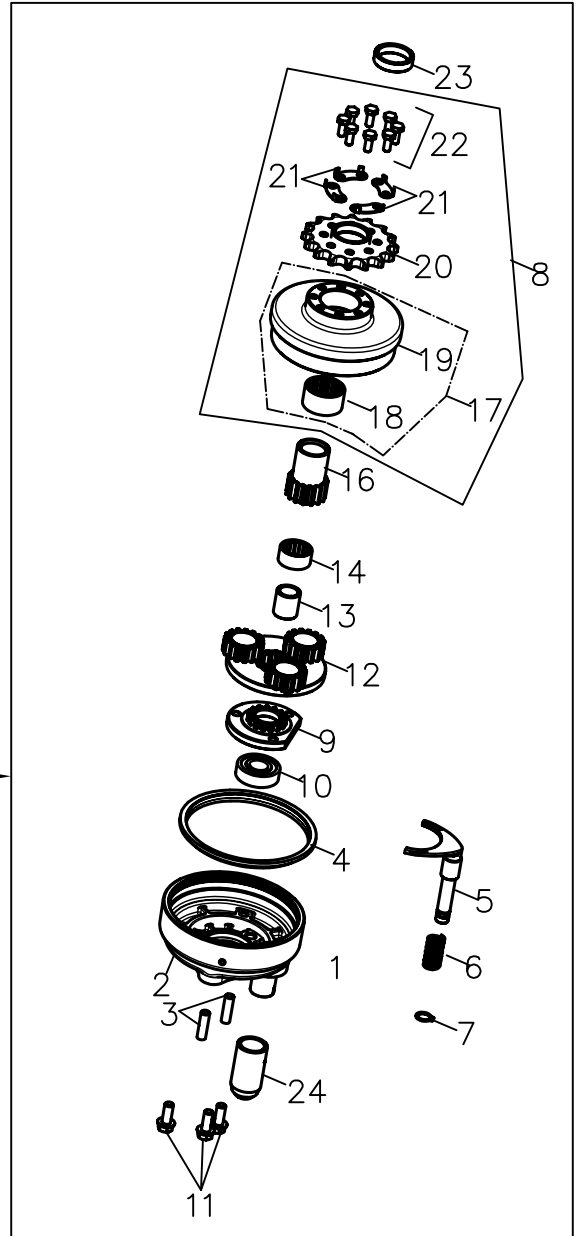
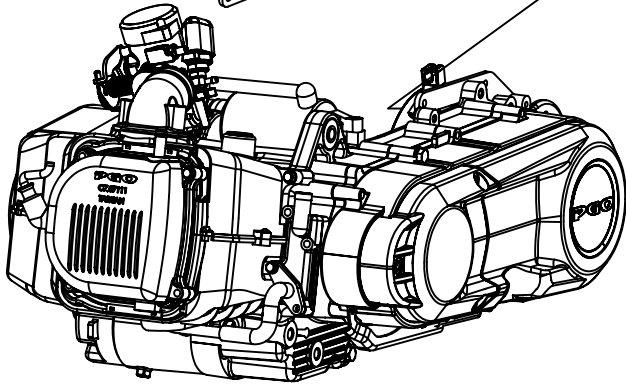
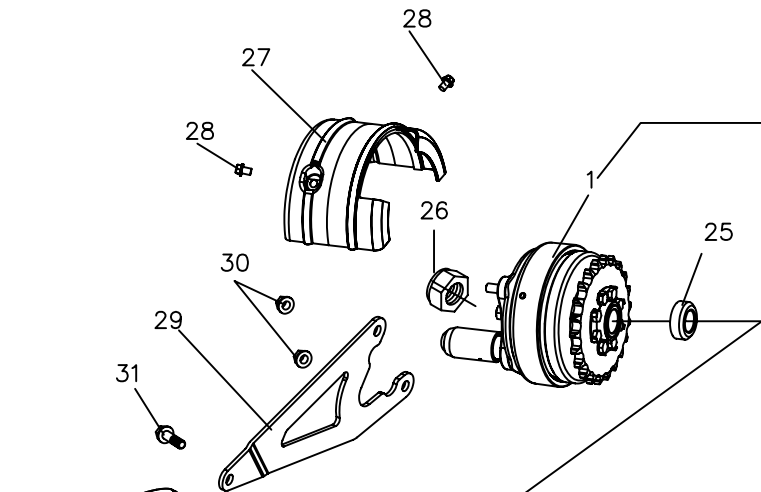
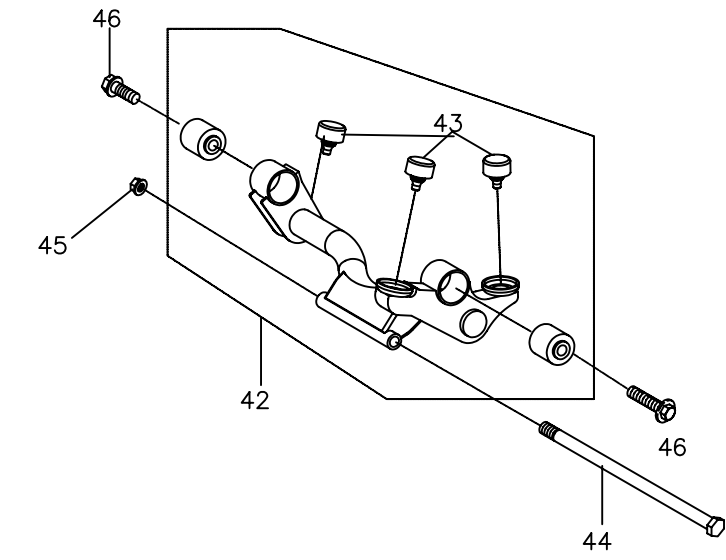


FR.

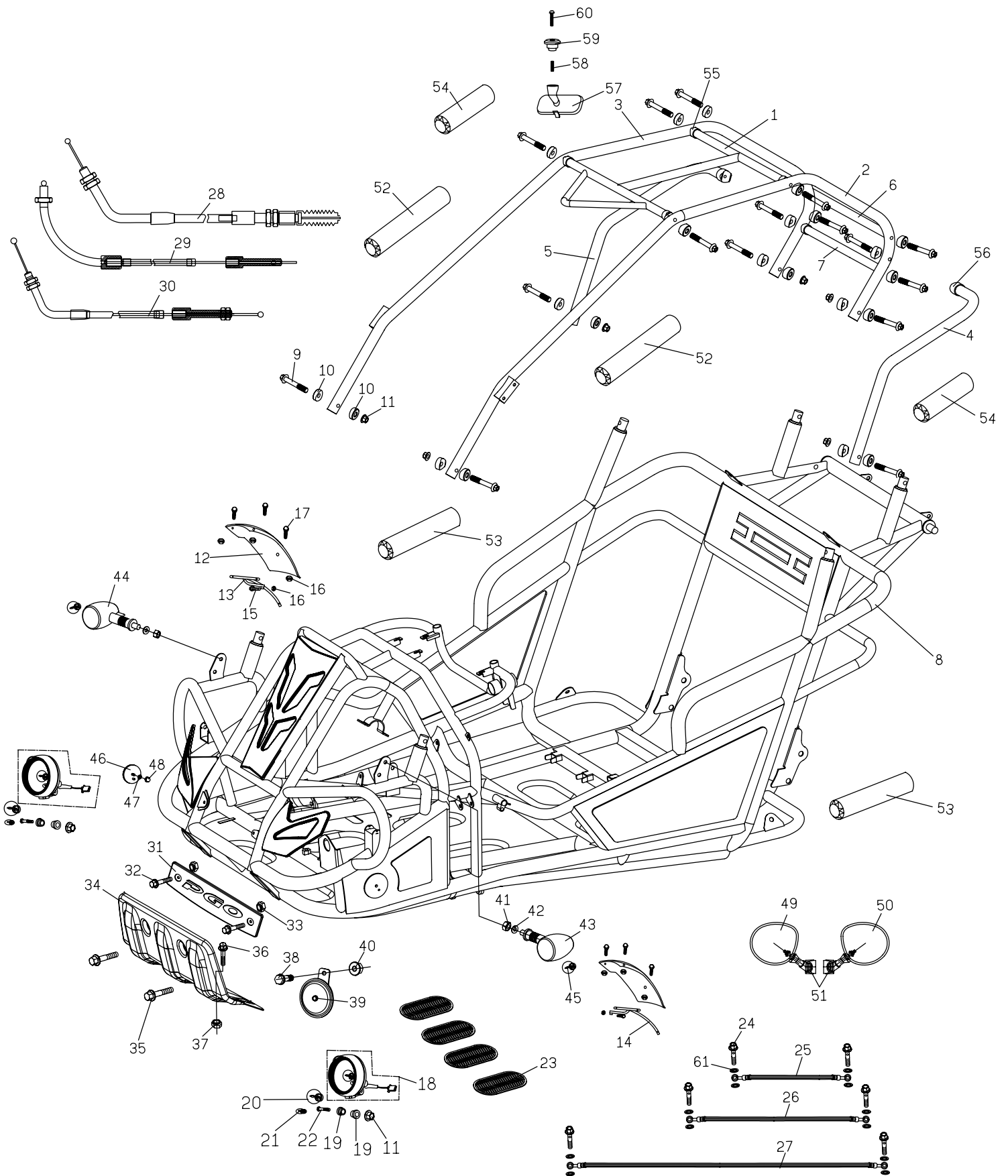
F1. MUFFLER & REVERSE GEAR BOX (BR-200)



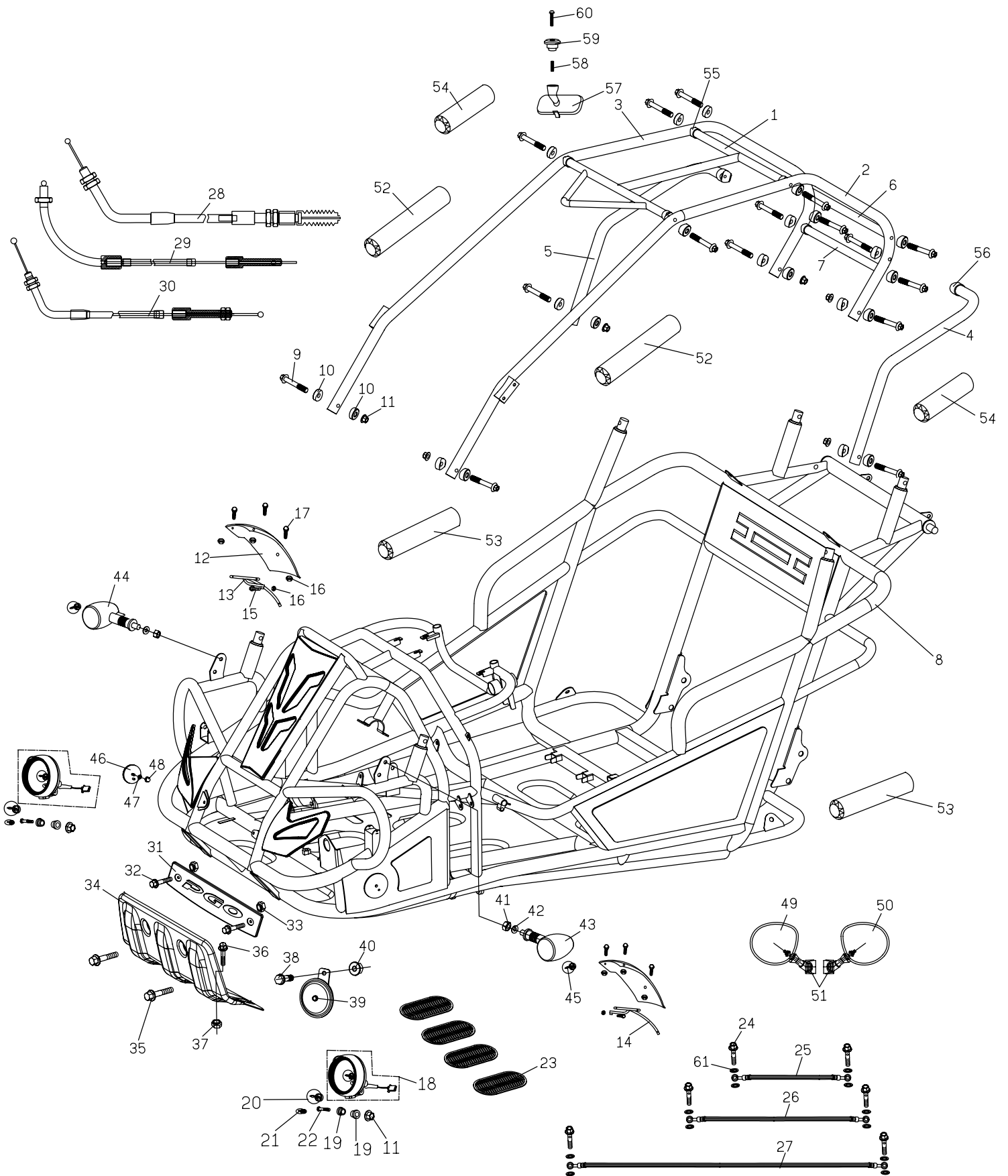
F1. MUFFLER & REVERSE GEAR BOX (BR-200)



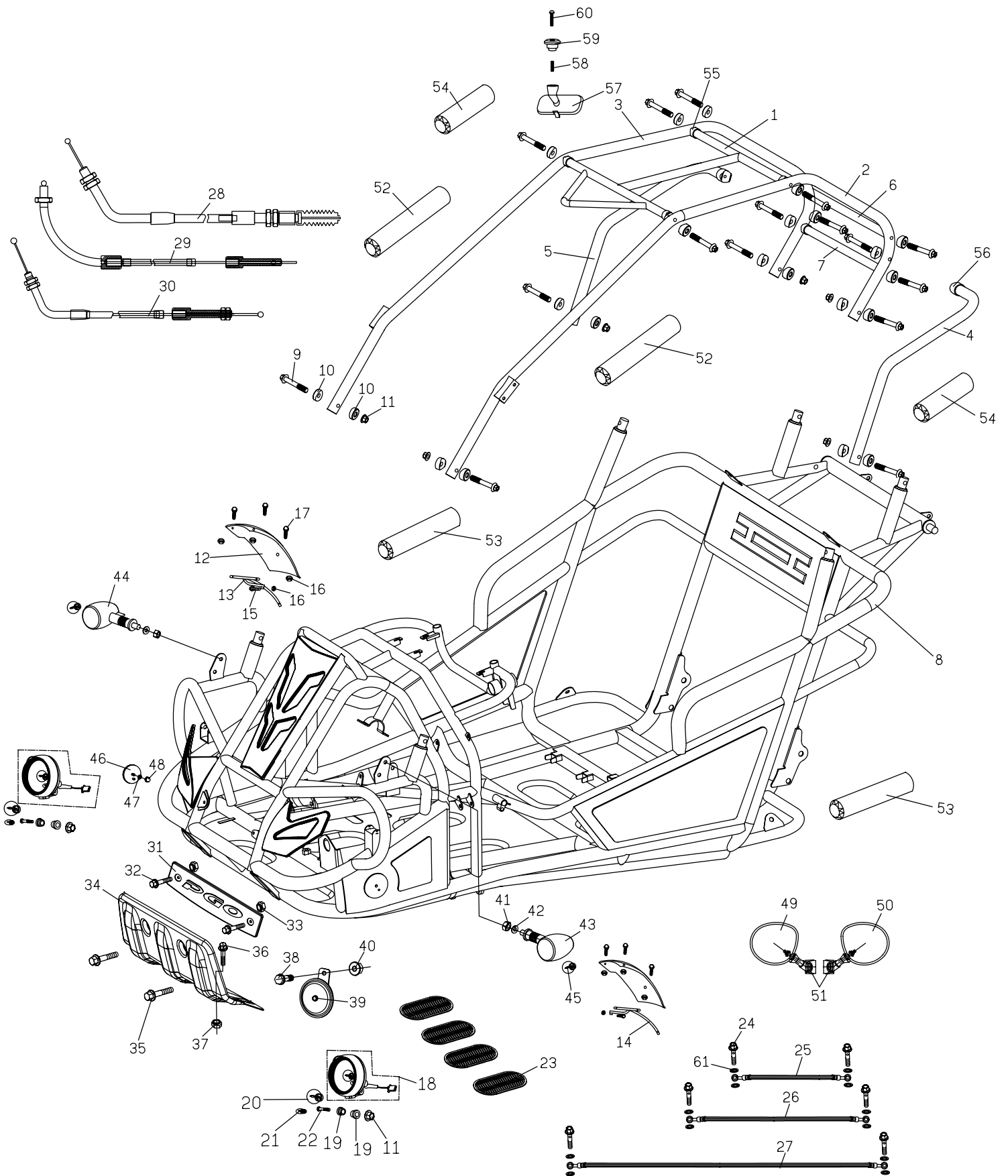
F 2. FRAME GROUP



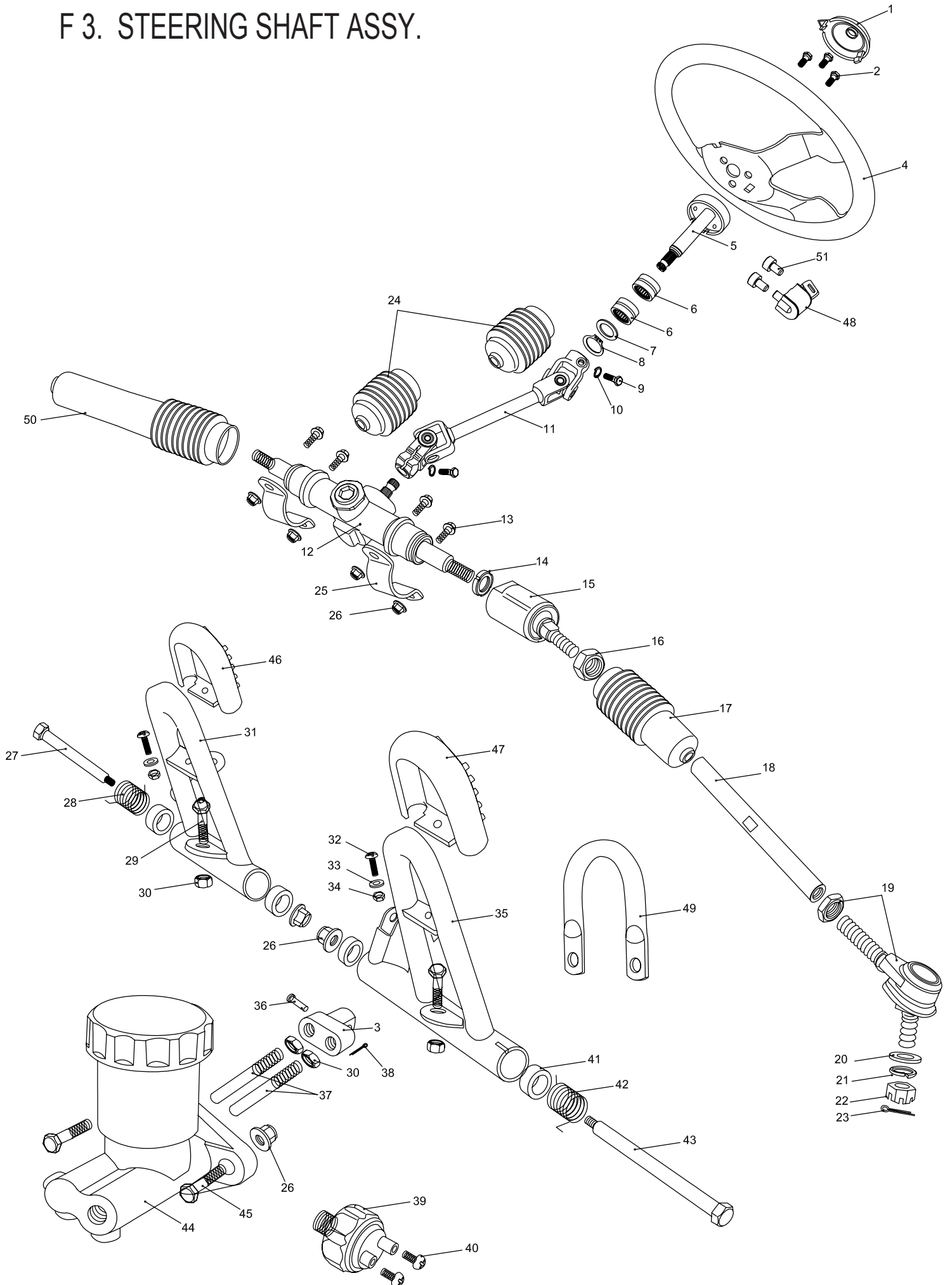
F 2. FRAME GROUP



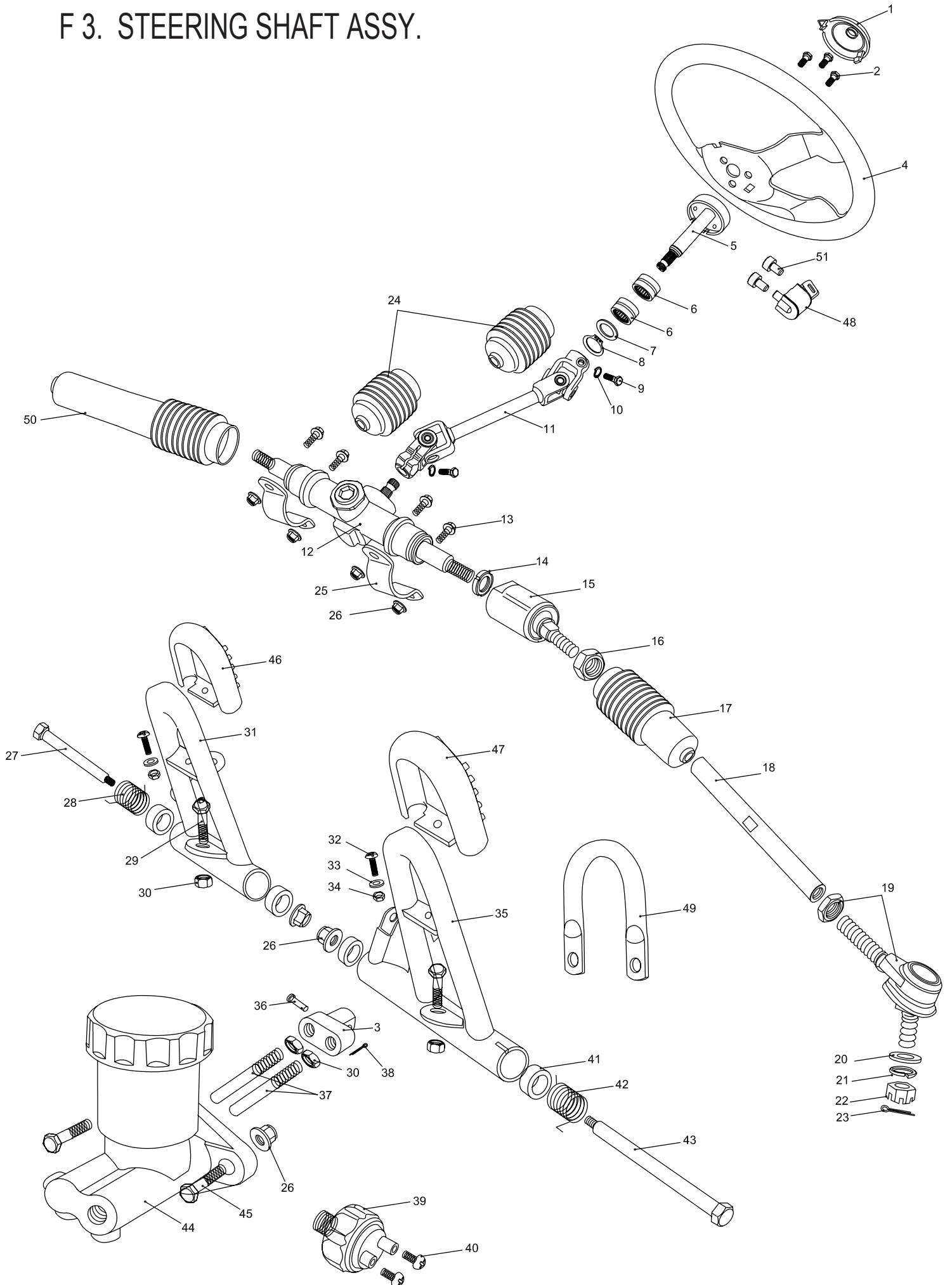
F 2. FRAME GROUP



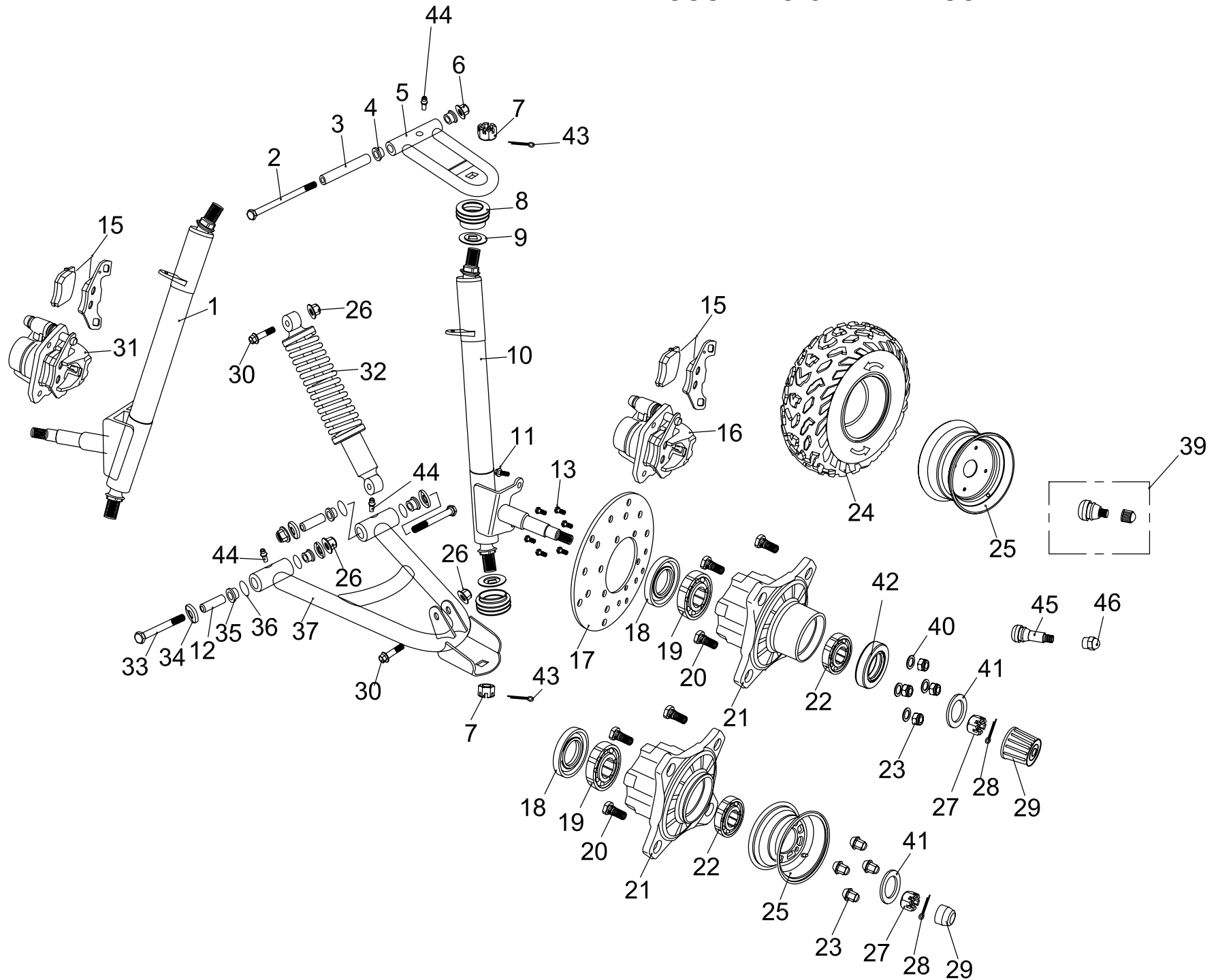
F 3. STEERING SHAFT ASSY.



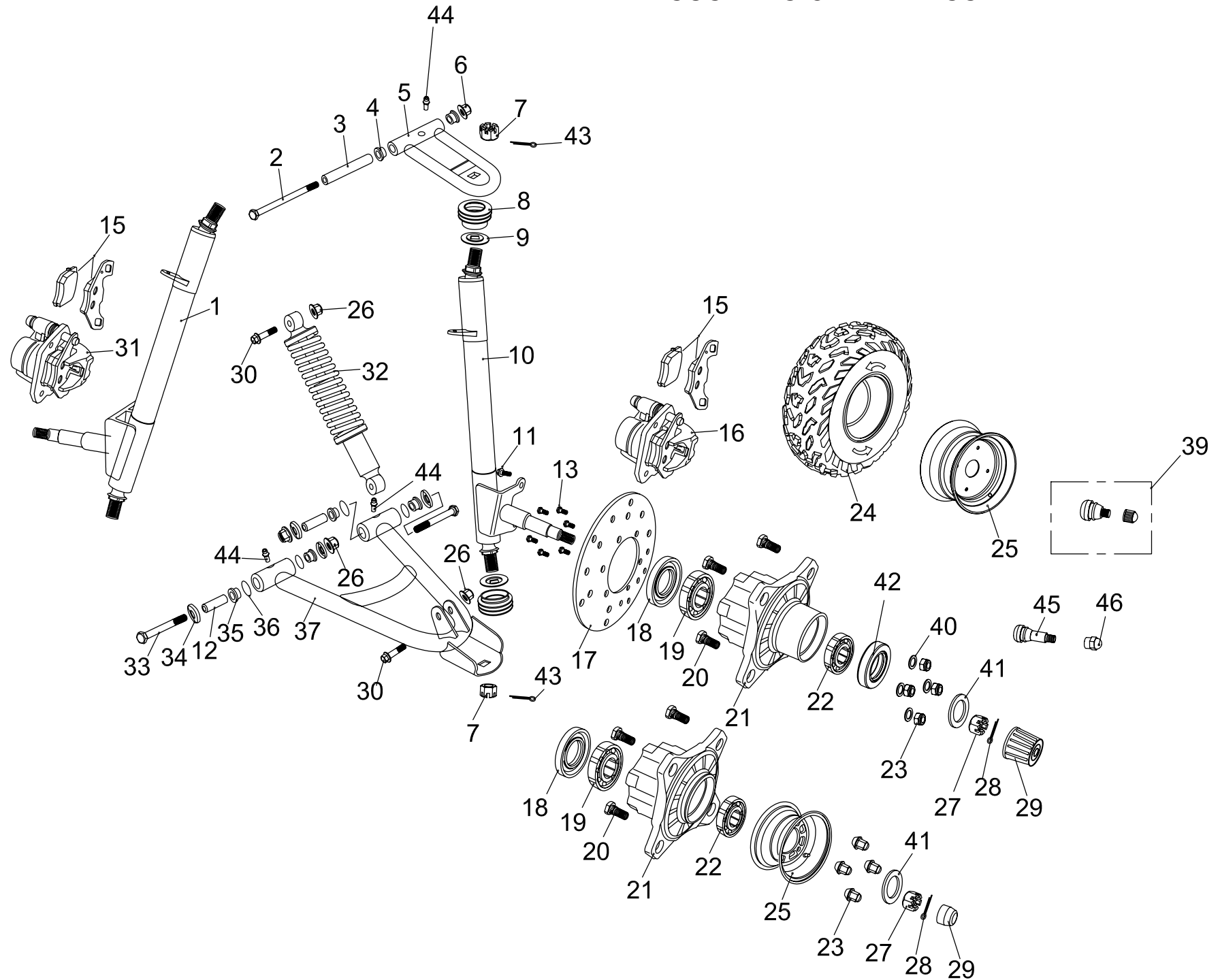
F 3. STEERING SHAFT ASSY.



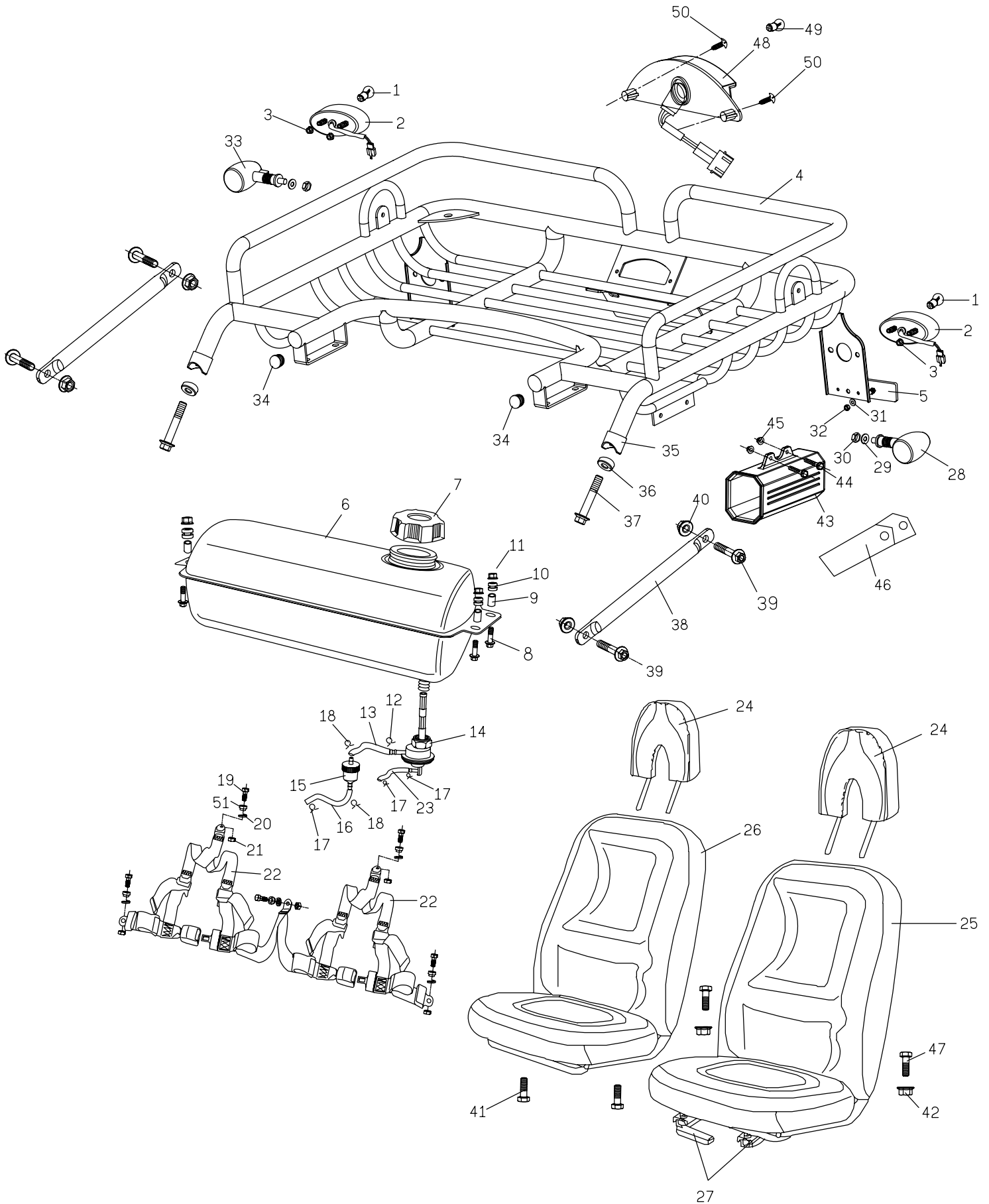
F 4. SUSPENSION ARM ASSY.



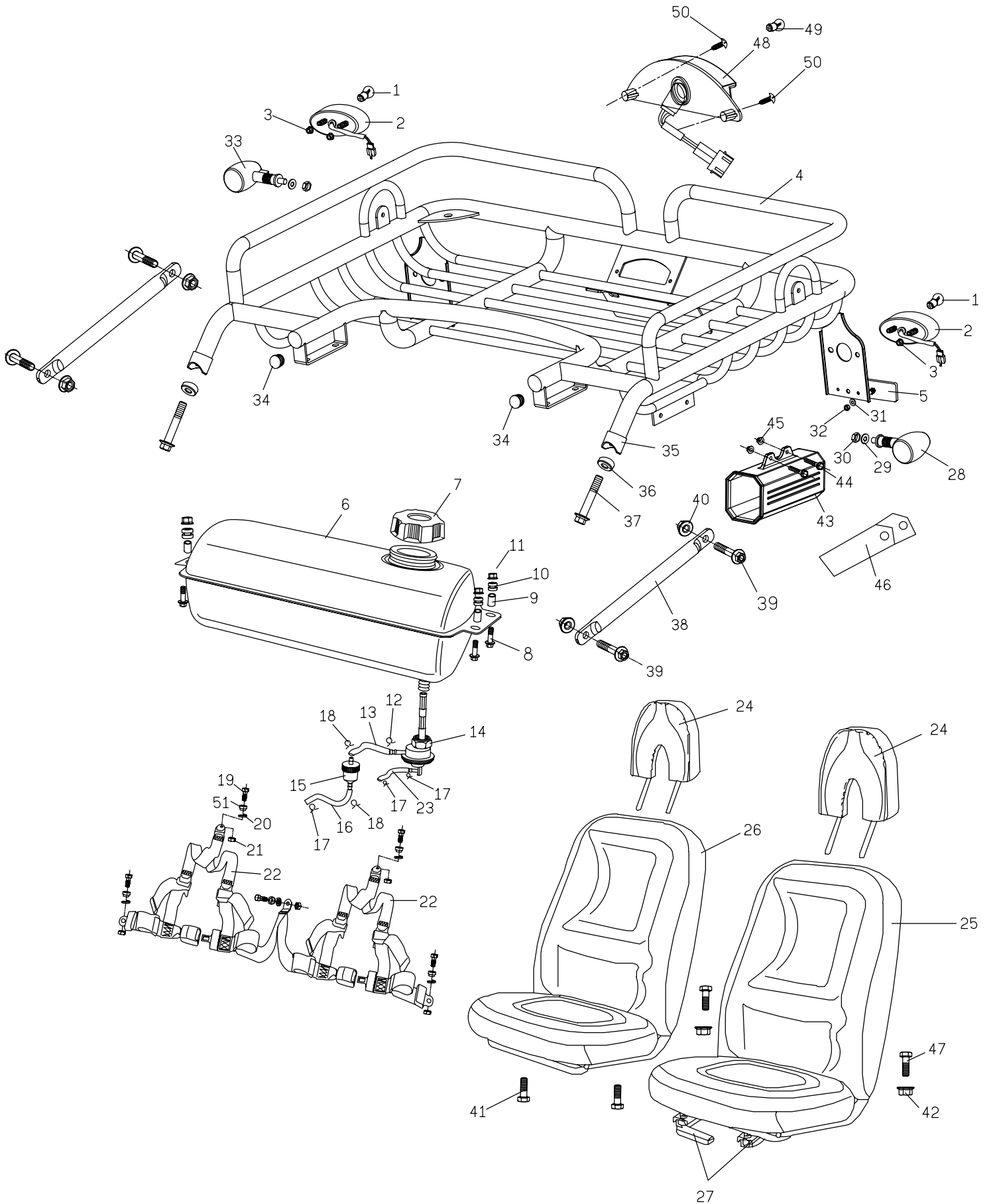
F 4. SUSPENSION ARM ASSY.



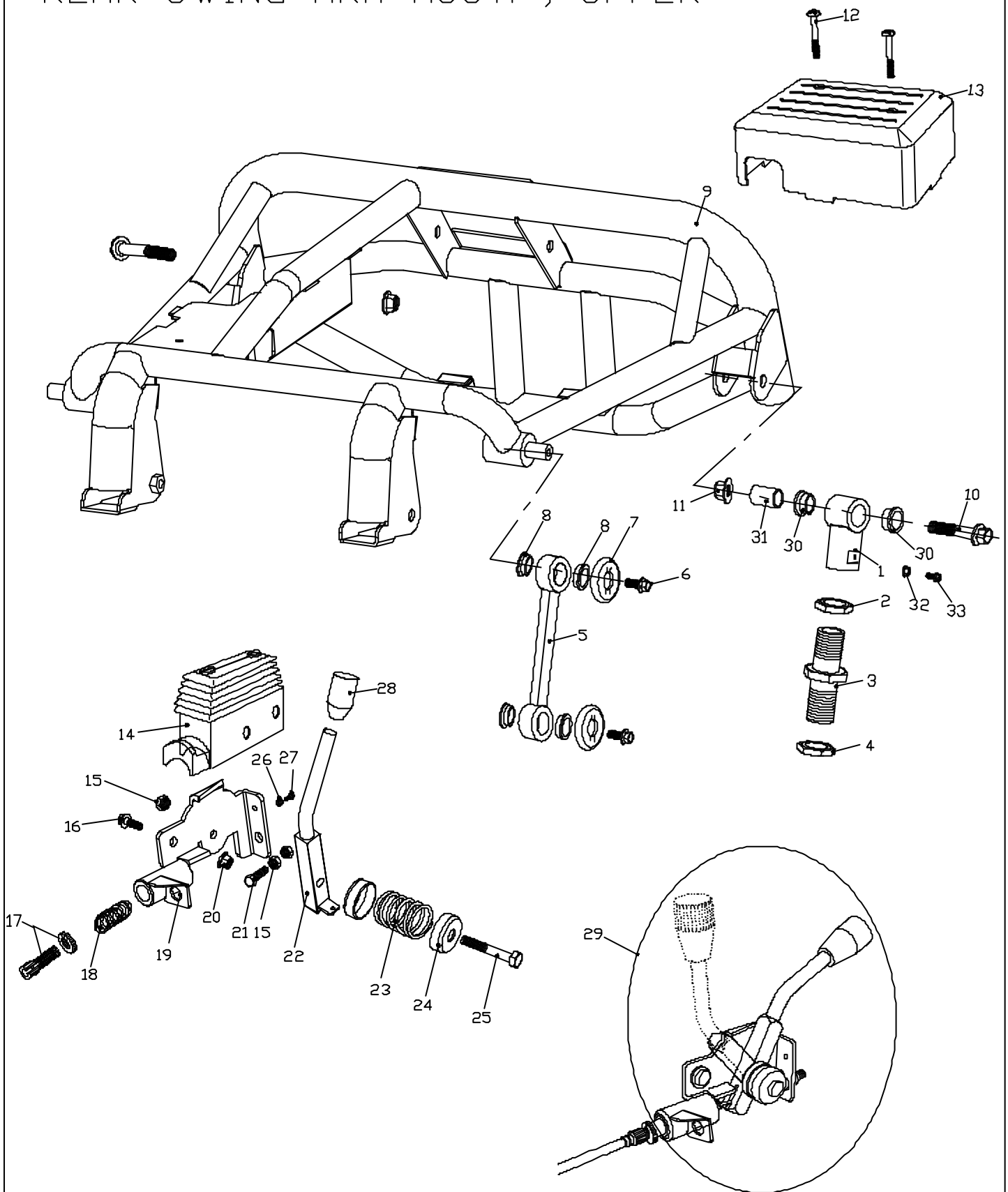
F 5. .REAR CARGO RACK/SEAT/BELT



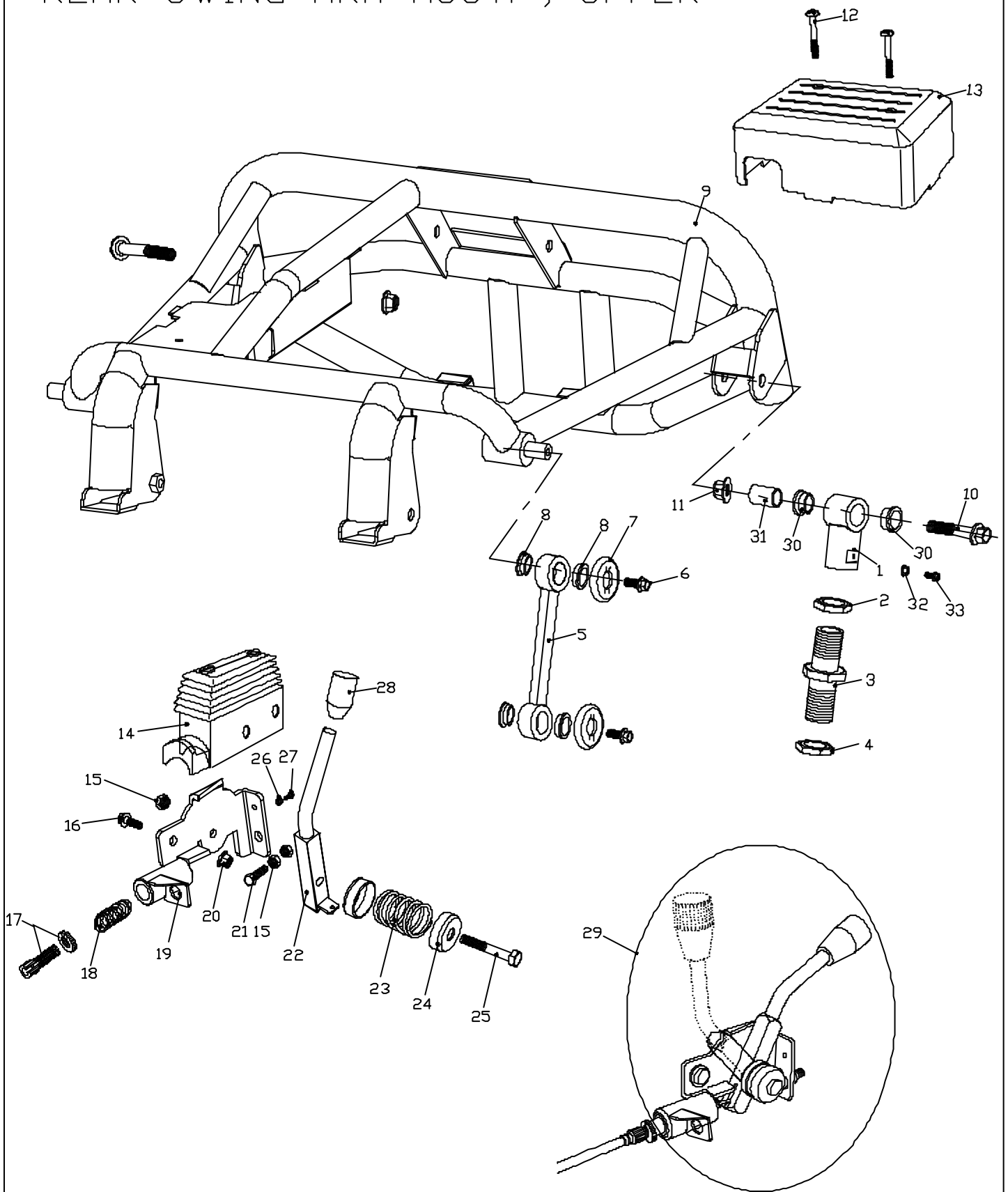
F 5. .REAR CARGO RACK/SEAT/BELT



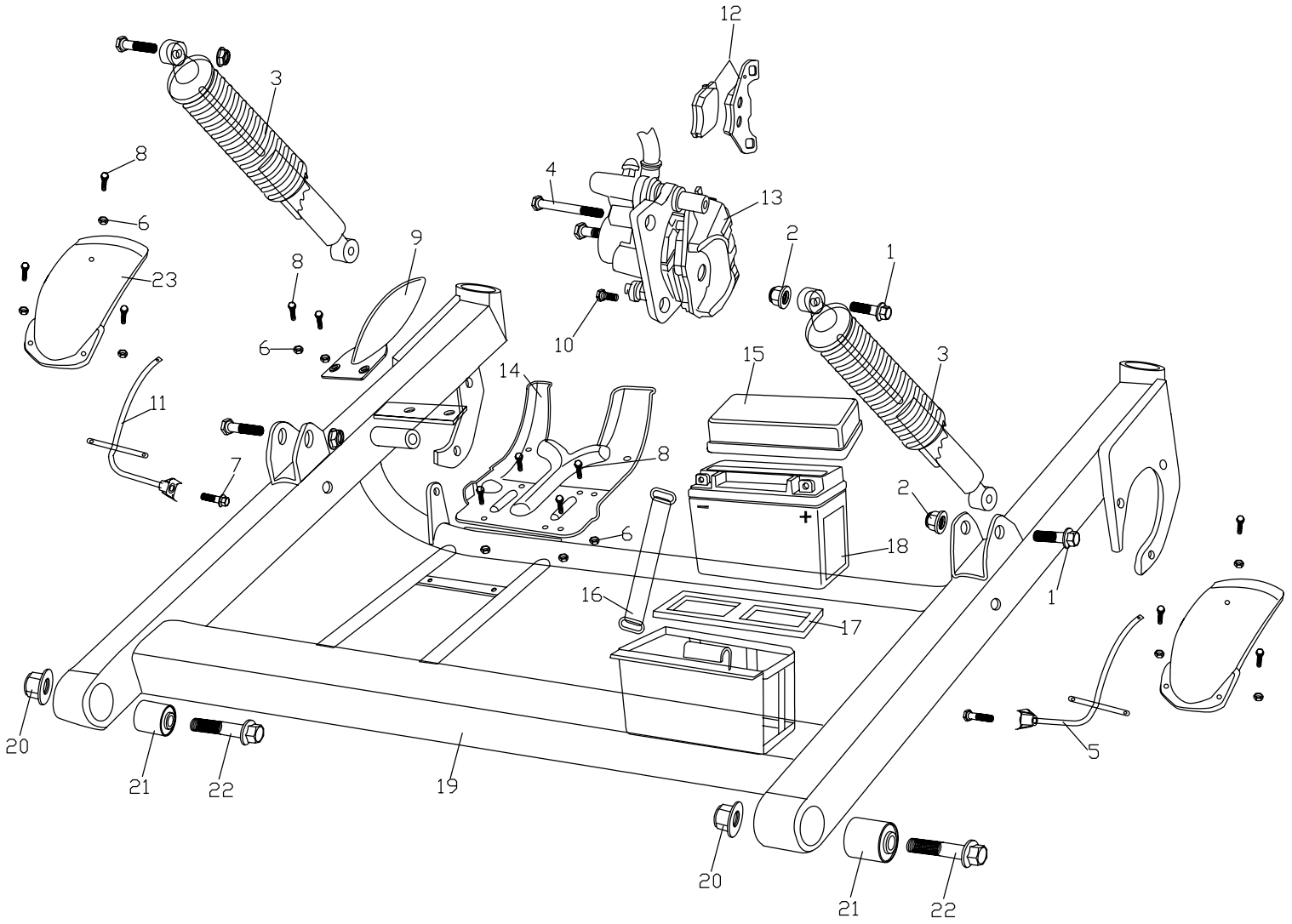
F6.
REAR SWING ARM ASSY. , UPPER



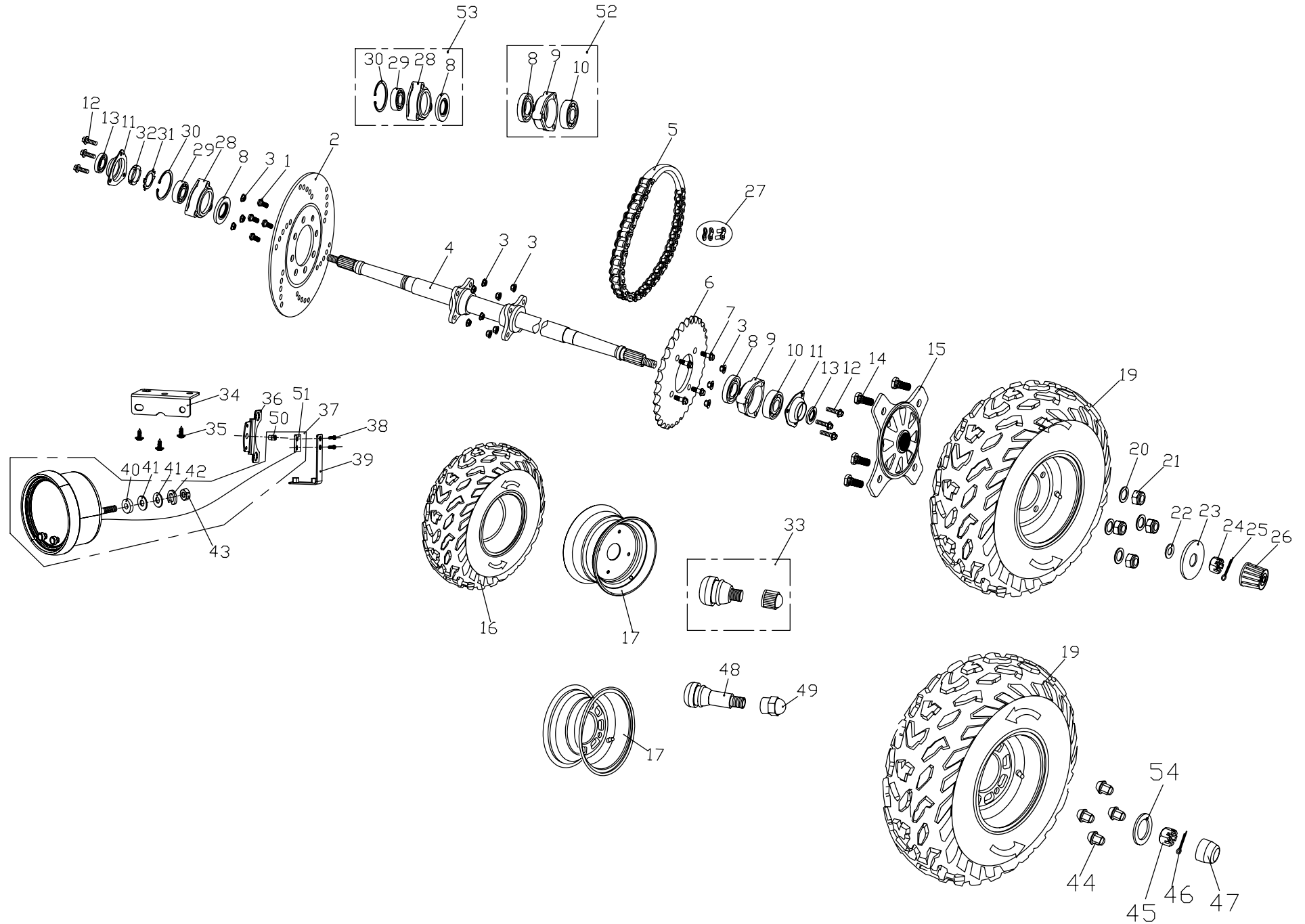
F6. REAR SWING ARM ASSY. , UPPER



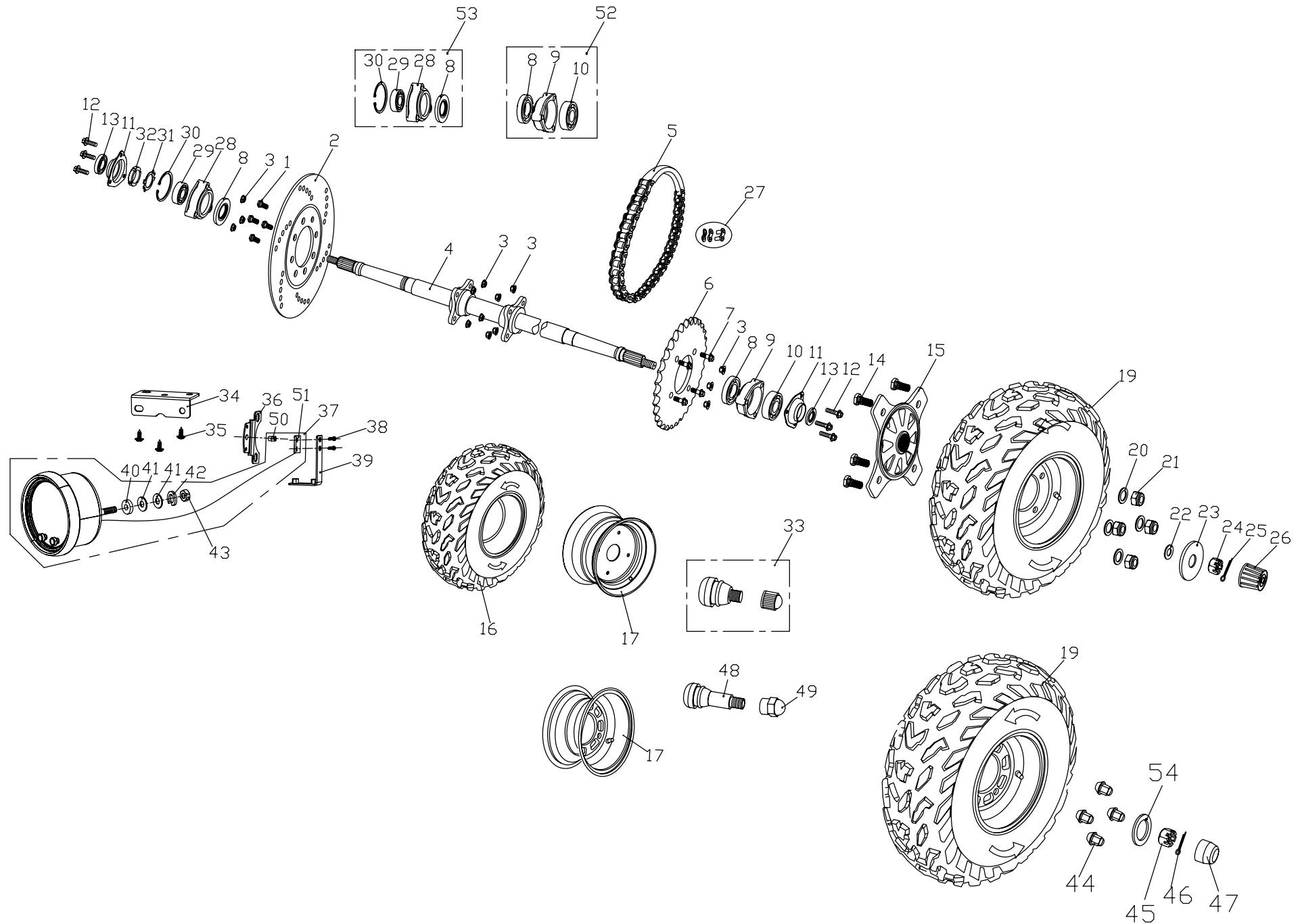
F 7. REAR SWING ARM ,LOWER



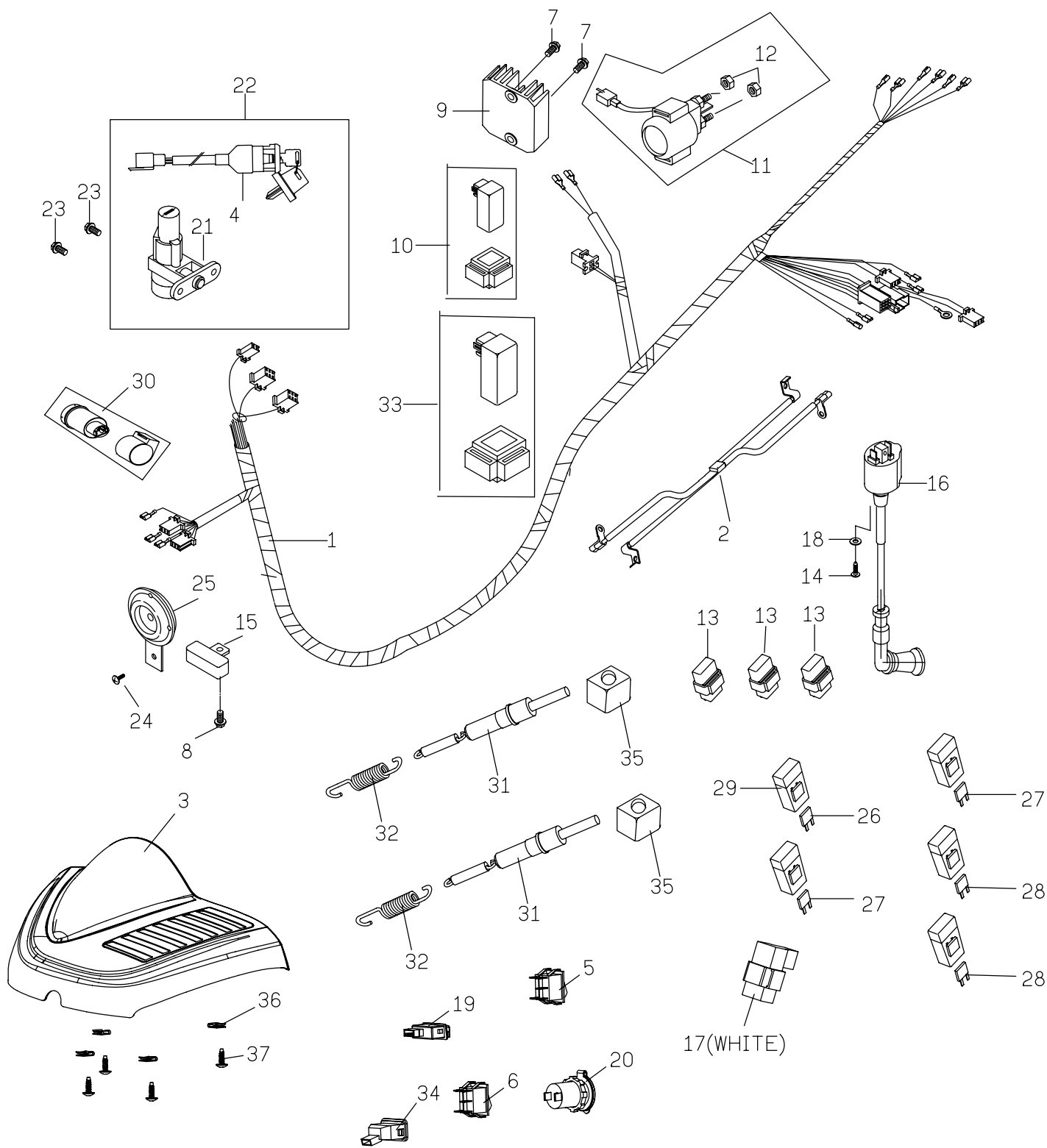
F 8. REAR HOUSING



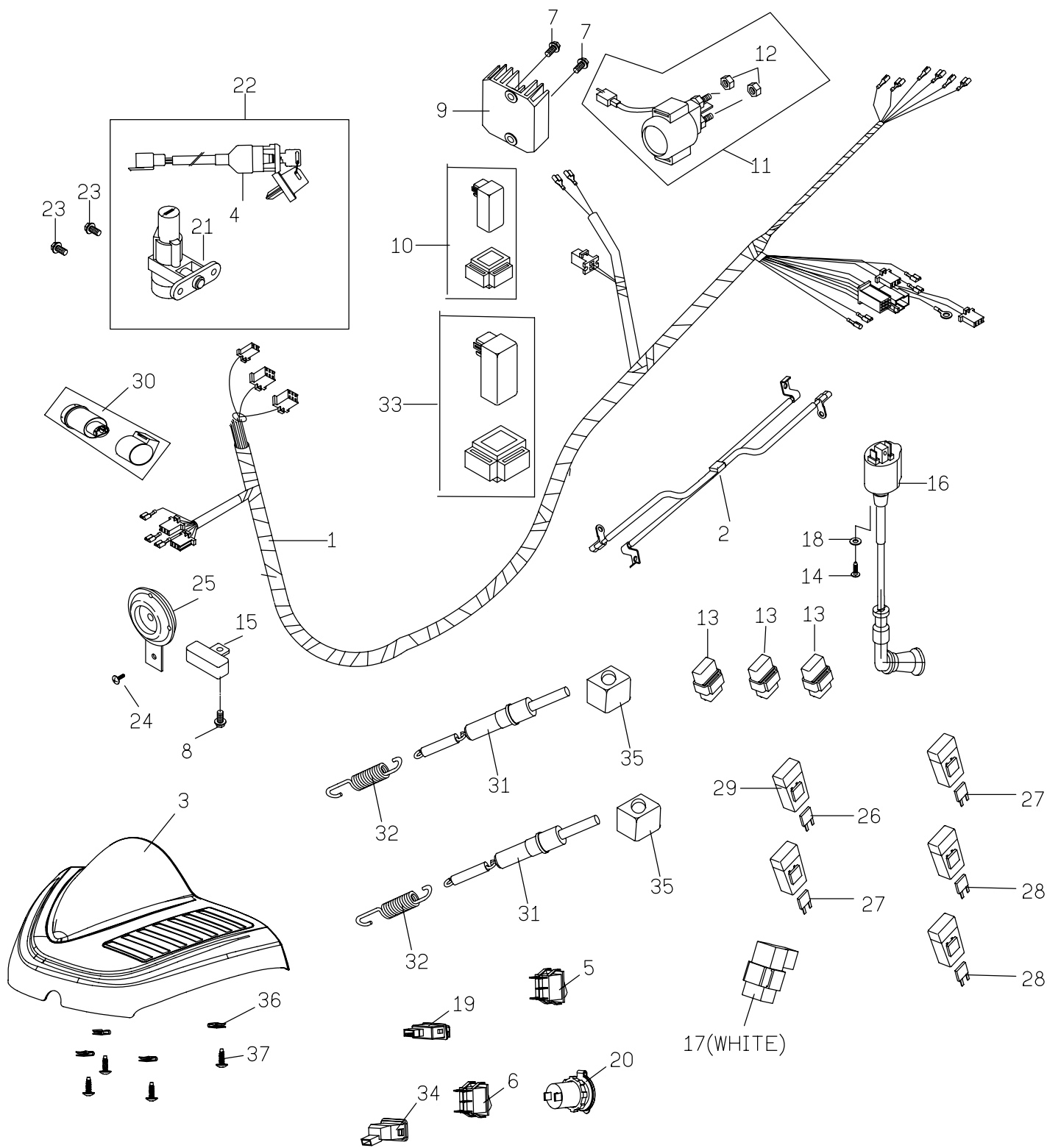
F 8. REAR HOUSING



F9. WIRE HARNESS/ELECTRICAL



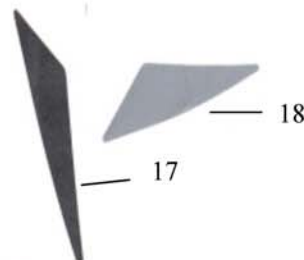
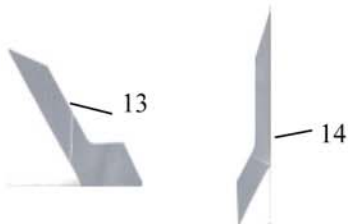
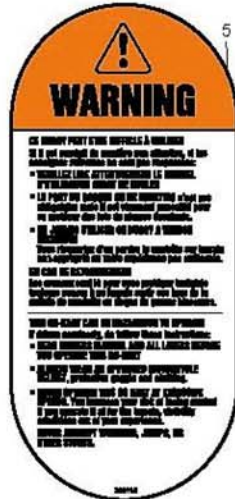
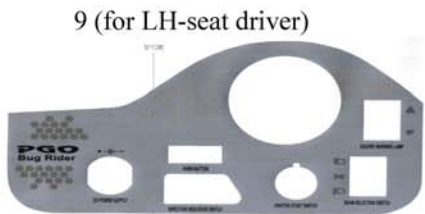
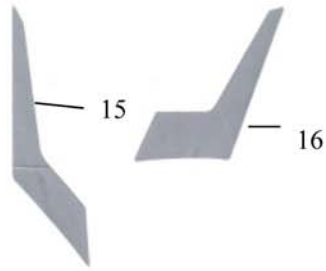
F9. WIRE HARNESS/ELECTRICAL



F10. BR-200 LABELS



WARNING Do not Start in Work or At Work	CAUTION LES CEINTURES DE SECURITE DOIVENT ETRE ATTACHEES
---	---



摩特動力工業股份有限公司

MOTIVE POWER INDUSTRY CO., LTD.

P G O
SCOOTERS

Factory: No. 66 SHAN-JEAU RD., DA-TSUN HSIANG,
CHANG-HWA HSIEN, TAIWAN, R.O.C.

Tel: 886-4-8528111 Fax: 886-4-8528112

<http://www.english.pgo.com.tw/>

e-mail: pgo@ms12.hinet.net

E1. CRANKCASE				
No.	Part No.	Q'ty	Part Name	Specification
1	C70610000000	1	CRANKCASE ASSY. ,RIGHT	
2	E1061020000	1	BUSH, QUAKEPROOF	
3	90190606500	1	HEXAGON FLANGE BOLT	
4	90190605501	1	HEXAGON FLANGE BOLT	
5	G1061070000	1	OIL PLUG	
6	93540801400	1	LOCK PIN	
7	C70610400000	1	GASKET FOR CRANK CASE	
8	93540801400	1	LOCK PIN	
9	E1061020000	1	BUSH, QUAKEPROOF	
10	C70620100000	1	CRANKCASE LEFT	
11	90181201500	1	HEXAGON FLANGE BOLT (M12*15L)	
12	92141200006	1	PLAIN WASHER	
13	90190801200	1	HEXAGON FLANGE BOLT (M8*12L)	
14	92140800001	1	WASHER (8*1.6T)	
15	96510620402	1	DEEP GROOVE BALL BEARING	
16	96510620200	1	BALL BEARING	
17	96510620301	1	BALL BEARING	
18	95572637600	1	OIL SEAL, TC TYPE	
19	95572032600	1	OIL SEAL, TC TYPE	
20	C5286010000	1	SECOND AIR REED VALVE COMP	
21	C1286160000	1	GASKET SECOND AIR COVER	
22	C5286060000	1	COVER,SECOND AIR	
23	C1286220000	1	GASKET,TUBE	
24	C72862000000	1	TUBE COMP	
25	90190603502	2	HEXAGON FLANGE BOLT(M6*35L)	

E1. CRANKCASE				
No.	Part No.	Q'ty	Part Name	Specification
26	90190601203	1	HEXANGON FLANGE BOLT(M6*1.0P*12L)	
27	90170820500	2	STUD BOLT	
28	90170819800	2	STUD BOLT	
29	90190602700	2	HEXAGON FLANGE BOLT (M6*27L)	
30	C706K0100000	1	CRANKCASE ASSY.RH/LH.	
31	C70812400000	1	Oil Pump ,Idle Gear Comp SHAFT	

E2.	LEFT SIDE COVER			
No.	Part No.	Q'ty	Part Name	Specification
1	C70630107700	1	SIDE COVER, LH	SILVER
2	C70630900000	1	SPONGE, FILTER	
3	C70631506501	1	DIVERSION COVER ,LH. SID	BR-200/XL-200
4	C70631406500	1	OUTSIDE COVER ,LH. SIDE	BR-200/XL-200
5	C70630200000	1	GASKET LEFT COVER	
6	93540801400	2	LOCK PIN	
7	90070601501	3	CR TRUSS HD MACHINE SCRE	
8	90190604001	9	HEXAGON FLANGE BOLT	
9	C70631600000	3	PACKING, OUTSIDE COVER ,LH. SIDE	
10	C76031400000	1	OIL NOTICE LABEL (CHINESE)	
11	C76031400001	1	OIL NOTICE LABEL (ENGLISH)	
12	X30631000000	1	COOLING PIPE, CVT CHAMBER	BR-200/XL-200

E3. CYLINDER HEAD,CYLINDER HEAD COVER				
No.	Part No.	Q'ty	Part Name	Specification
1	C70710100000	1	CYLINDER HEAD	W/H SAI
4	C70712000000	1	VALVE, EXHAUST	
5	C70713000000	1	VALVE, INTAKE	
6	C70710700000	1	GASKET, CYLINDER HEAD	
7	93541001401	2	LOCK PIN (10*14)	
8	90190610000	2	HEXAGON FLANGE BOLT (M6*100L)	
9	90170802900	2	STUD BOLT	
10	90170606300	2	STUD BOLT	
11	C72613200000	1	GASKET, CARB. INSULATOR	
12	C72613000000	1	INSULATOR COMP,CARB	
14	95513200000	1	O RING	
15	C72610500000	1	INTAKE MANIFOLD ASSY.	
17	C1261061000	1	HOSE CLAMP	
18	92040600000	2	HEXAGON FLANGE NUT (M6*10P)	
19	F32220000001	1	SPARK PLUG	
20	92431600002	2	WASHER	
21	C70714100000	2	VALVE SPRING	
22	C1071440000	2	RETAINER, VALVE SPRING	
23	C1071430000	4	COTTER VALVE	
24	C70730000000	1	CAMSHAFT COMP	
25	C70720600000	1	SHAFT, EX ROCKER ARM	

E3. CYLINDER HEAD,CYLINDER HEAD COVER				
No.	Part No.	Q'ty	Part Name	Specification
26	C70720200000	2	VALUE ROCKER ARM ASSY.	
29	C70720500000	1	SHAFT, IN ROCKER ARM	
30	93541001401	4	LOCK PIN (10*14)	
31	C70724300000	1	CAMSHAFT HOLDER	
32	92140800000	4	WASHER (8.4D*17D*1.6T)	
33	92040800000	4	HEXAGON FLANGE NUT (M8)	
34	C70711000000	1	CYL.HEAD COVER COMP.	
35	C70711200000	1	GASKET, CYLINDER HEAD COVER	
36	C70711300000	1	TUBE CYL.,HEAD COVER	
37	90150400800	4	CR TRUSS HD TAPPING SCREW(M4*8L)	
38	C70711500000	1	PARTITION PLATE	
39	C70711100000	1	CYLINDER HEAD COVER	
40	90190602700	4	HEXAGON FLANGE BOLT (M6*27L)	
41	C70711900000	1	TUBE CYL.ASY.,HEAD COVER	
42	C1071451000	2	SEAL, VALVE	
43	ES706020000	1	WIRE CLIP	

E4. CYLINDER , CRANKSHAFT				
No.	Part No.	Q'ty	Part Name	Specification
1	C70665000000	1	CRANKSHAFT COMP	
2	93530402500	2	WOODRUFF KEY	
3	93560500600	1	LOCK PIN	
5	C70621000000	1	DEEP GROOVE BALL BEAR ONE SEAL	
6	C70611000000	1	DEEP GROOVE BALL BEAR ONE SEAL	
7	C706F1100000	1	CONNECTING ROD	
8	C70661300000	1	SPROCKET, VALVE TIME	
9	C70812800000	1	OIL PUMP , DRIVING GEAR	
10	C70670100000	1	PISTON	
11	C70671500000	2	CLIP, PISTON PIN	
12	C70671100000	1	PISTON PIN	
13	C70673100000	1	PISTON RING (1)	
14	C70673200000	1	PISTON RING (2)	
15	C70674000000	1	OIL SCRAPER RING COMP	
16	C70640100000	1	CYLINDER	
17	C1072481000	1	GASKET , CHAIN ADJUSTER	
18	C70725000000	1	CHAIN ADJUSTER ASSY	
20	C70725600000	2	BOLT	
21	95510900001	1	O RING	
23	90190601601	2	HEXAGON FLANGE BOLT (M6*16L)	
24	C70641100000	1	GASKET, CYLINDER	
25	93541001401	2	LOCK PIN (10*14)	
26	C70724600000	1	CHAIN, CAMSHAFT	
27	C70724400000	1	TENSIONER, TIMING CHAIN	
28	C70724700000	1	GUIDE COMP, TIMING CHAIN	
29	C1072490000	1	SCREW ASSY, TIMING CHAIN TENSIONER	
30	95511500001	1	O RING	
31	90190601200	1	HEXAGON FLANGE BOLT(M6*1.0P*12L)	
32	92140600011	1	WASHER	
33	C7241300000	1	COLLAR	

E5. STARTING MOTOR			
No.	Part No.	Q'ty	Part Name
			Specification
1	C70680100000	1	RH. CRANKCASE COVER
2	C70680200000	1	GASKET RH. CRANKCASE COVER
3	95572030501	1	OIL SEAL, TC TYPE
4	93540801400	2	LOCK PIN
5	X20681100003	1	GAUGE. OIL LEVEL COMP
6	X20680300003	1	GAUGE. OIL LEVEL
7	95511800001	1	O-RING
8	90190603000	1	HEXAGON FLANGE BOLT (M6*30L)
9	90190603502	1	HEXAGON FLANGE BOLT(M6*35L)
10	90190612200	1	HEXAGON FLANGE BOLT (M6*122L)
11	90190611500	4	HEXAGON FLANGE BOLT (M6*115L)
12	90190612700	2	HEXAGON FLANGE BOLT (M6*127L)
13	G1062180000	1	SCREEN ,OIL FILTER
14	C1062190000	1	COMPRESSION SPRING
15	95513100000	1	O RING
16	C1062240000	1	CAP, OIL FILTER
17	C1701270000	1	PURSE LOCK

E6. CARBURETOR				
No.	Part No.	Q'ty	Part Name	Specification
1	C71510010002	1	CARBURETOR ASSY (SETTING 160)	CVK160
3	14029122201	1	VACUUM PISTON COMP	
4	N4254HGGN	1	JET NEEDLE COMP	CVK160
7	10308882000	1	TOP SET	
8	01108031100	2	SCREW,PAN	
9	N42633A00	1	NEEDLE JET	CVK160
10	N41318V00	1	NEEDLE JET HOLDER	CVK160
11	991013931020	1	MAIN JET	CVK160
12	N42445A35	1	SLOW JET	
13	16155ZG8L100	1	FLOAT VALVE SET	
14	10528622101	1	FLOAT COMP	
17	N35063F00	1	FLOAT CHAMBER SET	
18	12028656000	1	O RING	
19	N35063F00	1	FLOAT CHAMBER	
21	1785402H0040	1	TUBE SET	
31	12308567001	1	HOLDER CAP	
32	40001260000	1	AUTO BYSTARTER SET	CVK160
33	938920400818	1	SCREW WASHER	
34	10908732001	1	SET PLATE	

E7. CVT TRANSMISION				
No.	Part No.	Q'ty	Part Name	Specification
1	C71237000000	1	BELT PULLEY COMP,DRIVEN FACE	
2	P1123410000	1	NUT	
5	C71234300000	3	SPRING,CLUTCH	
7	C71234500000	1	PRESSURE PLATE,CLUTCH	
8	92180700000	3	RETAINING RING E TYPE	
10	C71235200000	1	SPG,DRIVEN FACE	
11	C71235300000	1	SEALED SOCKET	
12	95513700000	2	O-RING	
13	95593441400	2	OIL SEAL G TYPE	
14	C1123250000	3	BUSH	
15	C1123240000	3	PIN,GRIDE	
16	C71232100000	1	BODY COMP,DRIVEN FACE	
17	96520690200	1	DEEP GROOVE BALL BEAR ONE SEAL	
18	92162800000	1	RETAINING RING C TYPE	
19	C71231000000	1	DOBY COMP,DRIVEN FACE	
20	96550202900	1	NEEDLE BEARING	
21	C71235100000	1	OUTER BODY COMP,CLUTCH	
22	92041200002	1	HEXAGON FLANGE NUT	
23	92141200005	1	PLAIN WASHER	
24	C71220000000	1	V BELT	
25	C71211000000	1	FACE MOVABLE DRIVE	
27	92141200005	1	PLAIN WASHER	
28	92041200002	1	HEXAGON FLANGE NUT	
29	C71212000000	6	WEIGHT ROLLER COMP.	14.5g
30	C71213200000	3	SIDE PIECE	
31	C71213100000	1	RAMP PLATE	
32	C71210500000	1	BOSS,MOVABLE DRIVE FACE	
33	C71210600000	1	DRIVE FACE	
34	C71236000000	1	DRIVEN PULLEY ASSY.	

E8. FAN COVER,GENERATOR				
No.	Part No.	Q'ty	Part Name	Specification
1	C72210000001	1	A.C.G COMP.	XL & BR
2	C72210100001	1	FLYWHEEL COMP	XL & BR
3	C72210200000	1	STATOR COMP	
4	90190602700	3	HEXAGON FLANGE BOLT (M6*27L)	
5	90190501201	2	HEXAGON FLANGE BOLT (M5*12L)	
6	92110500000	2	SPRING LOCK WASHER	
7	92141200005	2	WASHER	
8	92041200000	1	HEXAGON FLANGE NUT	
9	C70430000000	1	FAN	
10	90190601204	4	HEXANGON FLANGE BOLT	
11	C70420000000	1	FAN COVER	
12	90150501600	2	CR TRUSS HD TAPPING SCREW	
13	C1042030000	1	RUBBER PLUG	
14	90180602000	1	HEXAGON FLANGE BOLT (M6*20L)	
15	C70421000000	1	COOLING HOOD (1)	W/O AIR PIPE
15	C70422100001	1	COOLING HOOD (1)	WITH AIR PIPE
16	C70422100000	1	COOLING HOOD (2)	
17	C1701260000	1	RUBBER PLUG	
18	90130300800	2	CR ROUND HD TAPPING SCREW (M3*8L)	
19	C70421200000	2	SEAL,COOLING HOOD	
20	C76031300001	1	OIL NOTICE LABEL (ENGLISH)	
21	C2701290000	1	PLASTIC LOCKER	
22	90110401200	2	CR PAN HD TAPPING SCREW	
23	92110500000	2	PLAIN WASHER	
24	C10422700001	1	AIR PIPE	SPECIFIED PART

E9. STARTING MOTOR, OIL PUMP				
No.	Part No.	Q'ty	Part Name	Specification
1	C72430000001	1	ONE WAY CLUTCH	
2	96590283200	1	NEEDLE BEARING	
6	90210801600	3	SOCKET BOLT	
7	C1243060000	1	LOCK NUT (L)	
8	92142200000	2	WASHER (22*31*2.5)	
10	C70810300000	1	OIL PUMP GEAR	
12	90180602500	2	HEXANGON FLANGE BOLT	
13	C70810000000	1	OIL PUMP COMP.	
14	90190603600	1	HEXANGON FLANGE BOLT	
15	92141200014	2	PLANE WAHER	
16	C70812500000	1	Oil Pump ,Idle Gear Comp	
17	C70812400000	1	Oil Pump ,Idle Gear Comp SHAFT	
18	C1242040000	1	SHAFT, START REDUCTION GEAR	
19	C1242010000	1	GEAR, STARTER REDUCTION	
20	C72410000000	1	MOTOR ASSY STARTER	
21	90180602000	2	HEXAGON FLANGE BOLT (M6*20L)	

E10. BUGRIDER 200_GEARBOX				
No.	Part No.	Q'ty	Part Name	Specification
1	C21410110001	1	TRANSMISSION COVER	BR-200
2	C2141021000	1	TRANSMISSION COVER GASKET	
3	93541001401	2	LOCK PIN	
4	96510630100	1	BALL BEARING	
5	96510600200	1	BALL BEARING	
6	96530622200	1	BALL BEARING.DOUBLE SEALED	
7	C71411000001	1	DRIVE SHAFT	BR-200
8	C71412000001	1	IDLE GEAR COMP.	BR-200
9	C71414100002	1	AXLE DRIVE	BR-200
10	C71413100001	1	FINAL GEAR	BR-200
11	92172200000	1	RETAINING RING C TYPE	
12	95572742702	1	OIL SEAL TC TYPE	
13	92165000000	1	RETAINING RING C TYPE	
14	M2407430000	1	PIVOT REAR BK.SHDE	
15	95510800000	1	O RING	
16	90190805001	3	HEXAGON FLANGE BOLT	
17	90190805500	1	HEXAGON FLANGE BOLT	
18	90190804003	2	HEXAGON FLANGE BOLT	
19	90190802600	1	HEXAGON FLANGE BOLT	
20	92060800000	1	HEXAGON FLANGE NUT	
21	P1062150000	1	OIL BOLT	
22	95511300001	1	O-RING	
23	B5701090000	1	ENGINE REINFORCED PLATE	BR-200
24	B54861216002	1	ENGINE REINFORCED BRACKET	BR-200
25	90190602002	2	HEXAGON FLANGE BOLT	BR-200
26	X34861300000	1	SPACER COMP.	BR-200
27	X0486140000	2	RUBBER BUSH	BR-200
28	90021004001	1	HEXAGON FLANGE BOLT	
29	92061000000	1	HEXAGON FLANGE NUT	
30	B54860700001	1	BUSH	

E11. AIR CLEANER COMP.				
No.	Part No.	Q'ty	Part Name	Specification
1	X226200000003	1	AIR CLEANER ASSY.	
2	X22620100000	1	AC CASE	
3	X22620200000	1	AC Cover	
4	X22622700000	1	INTAKE PIPE	
5	92223400000	1	BATTEN CLIP	
6	X22620400000	1	Case Parking	
	X22620300000	1	Air filter	
7	X22620600000	1	Partition	
9	X22620500002	1	joint tube	
10	M2262360000	1	TUBE, TWO WAY	
11	92221000001	1	CLIP	
12	92221300000	1	CLIP	
13	C72623600000	1	Tube,two way	
14	M2262110000	1	CLIP	
15	M2262380000	1	CLIP	
16	90150502500	8	C-R TRUSS HD.TAPPING SCREW	
17	NE262060000	2	BUSH	
18	X22624100000	1	TRANFER PIPE	
19	90150501601	2	CR TRUSS HD TAPPING SCREW(M5*16L)	
20	90190603000	2	HEXAGON FLANGE BOLT (M6*30L)	
21	92140600005	2	WASHER(6.4D*13D*1T)	
22	B54861300002	1	BRACKET, AIR CLEANER	
23	90190802000	2	HEXAGON FLANGE BOLT (M8*20L)	

E12. OIL COOLER				
No.	Part No.	Q'ty	Part Name	Specification
1	C5083010000	1	OIL COOLER ASSY	
2	NA	1	RADIATOR, LOWER	
3	NA	1	RADIATOR, UPPER	
4	G1061070000	1	OIL PLUG	
5	C5083040000	1	OIL SEAL	
6	93560401000	2	LOCK PIN	
7	90210601800	8	HEXAGON SOCKET HD. CAP S	
8	C5083080000	1	OIL FILTER JOINT	
9	C1082020000	1	OIL FILTER	
10	B50830500001	1	OIL COOLER PIPE(1,RH)	BR-200
11	B50830600001	1	OIL COOLER PIPE (2,LH)	BR-200
12	C5083070000	4	JOINT BOLT,OIL HOSE	
13	92141200006	8	WASHER	

E13. AIAC ASSY. (OPTIONAL)			OPTIONAL DEVICE FOR EMISSION REGULATION	
No.	Part No.	Q'ty	Part Name	Specification
1	B52863000001	1	AIAC SYSTEM	
2	P62862100001	1	AIAC ASSY.	
3	B5286240000	1	VACUUM PIPE (A)	
4	B5286250000	1	VACUUM PIPE (B)	BR-200
5	B5286260000	1	VACUUM PIPE (C)	BR-200
6	B5286270000	1	TUBE (A)	
7	P6286270000	1	TUBE (B)	BR-200
8	C1286290000	1	THREE WAY, PIPE	BR-200
9	92200700000	6	HOSE CLAMP	
12	C1286310000	2	SPONGE	

F1.	MUFFLER			
No.	Part No.	Q'ty	Part Name	Specification
1	B51440000005	1	REVERSE ASS'Y	
1	B51440010005	1	REVERSE ASS'Y, 20 T SPROCKET	
2	B51441407701	1	GEAR CASE.R	
3	90170802900	2	STUD BOLT	
4	B51442000000	1	OIL SEAL	
5	B51441600000	1	GEAR SHIFTING YOKE	
6	B51441700000	1	SPRING.GEAR SHIFTING YOKE	
7	92171200000	1	C CLIP	
9	B51441900000	1	LOCK GEAR	
10	96530620300	1	BEARING 6203	
11	90190802001	3	HEXAGON FLANGE BOLT	
12	B51440800000	1	COUNTER GEAR SHAFT COMP	
13	B51440700000	1	BEARING COLLAR	
14	96550223000	1	NEEDLE BEARING (RNA4903)	
16	B51440500000	1	DRIVE GEAR	
17	B51440200000	1	INNER GEAR ASSY.	
18	96550303701	1	NEEDLE BEARING	
19	B51440306000	1	INNER GEAR	
20	B51440400001	1	DRIVE SPROCKET, 22 T	
20	B51440400002	1	DRIVE SPROCKET, 20 T	
21	B51445700001	4	KEEPER	
22	90020601601	8	HEXAGON BOLT	
23	B51445600001	1	SPACER	
24	B51442100000	1	COVER.GEAR SHITING YOKE	
25	B51414200000	1	COLLAR	
26	92011600000	1	U NUT	
27	B51445400002	1	CHAIN PROTECTOR, RR	
28	90190601200	2	HEXAGON FLANGE BOLT	
29	B51445216005	1	BRACKET, REVERSE GEAR BOX	
30	92040800000	2	HEXAGON FLANGE BOLT	

F1.	MUFFLER			
No.	Part No.	Q'ty	Part Name	Specification
31	90190802600	1	HEXAGON FLANGE BOLT	
32	B52815000000	1	REAR SECTION, MUFFLER	
33	B52810100000	1	HEAT PROTECTOR	
34	90190600800	4	HEXAGON FLANGE BOLT	
35	92050800000	2	CASTLE NUT	
36	HE281020000	1	GASKET, MUFFLER	
37	90191002000	1	HEXAGON FLANGE BOLT	
38	B52811000002	1	FRT SECTION, MUFFLER	
39	HE2810810000	1	COUPLER, MUFFLER	
40	90190803003	2	HEXAGON FLANGE BOLT	
41	HE2810700000	1	SEAL, MUFFLER	
42	B54860000001	1	ENGINE HANGER ASSY.	
43	C1486050000	3	RUBBER,DAMPER	
44	90191018000	1	HEXAGON FLANGE BOLT	
45	92061000001	1	HEXAGON FLANGE NUT	
46	90191005500	2	HEXAGON FLANGE BOLT	

F2.	FRAME GROUP			
No.	Part No.	Q'ty	Part Name	Specification
1	B54210110001	1	ROLL CAGE CROSS. FRT	ADD COLOR CODE
1	B54210114X01	1	ROLL CAGE CROSS. FRT(BLUE#4X)	
1	B54210116001	1	ROLL CAGE CROSS. FRT(BLACK#60)	
1	B54210117101	1	ROLL CAGE CROSS. FRT(SILVER#7I)	
1	B54210111M01	1	ROLL CAGE CROSS. FRT(RED#1M)	
1	B54210113D01	1	ROLL CAGE CROSS. FRT(GREEN#3D)	
2	B54210210001	1	ROLL CAGE BAR, LH(LH-seat DRIVER)	
2	B54210214X01	1	ROLL CAGE BAR, LH(LH-seat DRIVER;BLUE#4X)	
2	B54210216001	1	ROLL CAGE BAR, LH(LH-seat DRIVER;BLACK#60)	
2	B54210217101	1	ROLL CAGE BAR, LH(LH-seat DRIVER;SILVER#7I)	
2	B54210211M01	1	ROLL CAGE BAR, LH(LH-seat DRIVER;RED#13)	
2	B54210213D01	1	ROLL CAGE BAR, LH(LH-seat DRIVER;GREEN#3D)	
2	B54210220001	1	ROLL CAGE BAR., LH(Right-seat DRIVER)	
2	B54210224X01		ROLL CAGE BAR, LH(RH-seat DRIVER;BLUE#4X)	
2	B54210226001		ROLL CAGE BAR, LH(RH-seat DRIVER;BLACK#60)	
2	B54210227101		ROLL CAGE BAR, LH(RH-seat DRIVER;SILVER#7I)	
2	B54210221M01		ROLL CAGE BAR, LH(RH-seat DRIVER;RED#13)	
2	B54210223D01		ROLL CAGE BAR, LH(RH-seat DRIVER;GREEN#3D)	
3	B542A0210001	1	ROLL CAGE BAR. ,RH(Right-seat DRIVER)	
3	B542A0214X01		ROLL CAGE BAR, RH(RH-seat DRIVER;BLUE#4X)	
3	B542A0216001		ROLL CAGE BAR, RH(RH-seat DRIVER;BLACK#60)	
3	B542A0217101		ROLL CAGE BAR, RH(RH-seat DRIVER;SILVER#7I)	
3	B542A0211M01		ROLL CAGE BAR, RH(RH-seat DRIVER;RED#13)	
3	B542A0213D01		ROLL CAGE BAR, RH(RH-seat DRIVER;GREEN#3D)	
3	B542A0220001	1	ROLL CAGE BAR. ,RH(Left-seat DRIVER)	
3	B542A0224X01		ROLL CAGE BAR, RH(LH-seat DRIVER;BLUE#4X)	
3	B542A0226001		ROLL CAGE BAR, RH(LH-seat DRIVER;BLACK#60)	
3	B542A0227101		ROLL CAGE BAR, RH(LH-seat DRIVER;SILVER#7I)	
3	B542A0221M01		ROLL CAGE BAR, RH(LH-seat DRIVER;RED#13)	
3	B542A0223D01		ROLL CAGE BAR, RH(LH-seat DRIVER;GREEN#3D)	
4	B54210400001	1	ROLL CAGE BAR. L.SIDE	4X0:BLUE
5	B542A0400001	1	ROLL CAGE BAR. R.SIDE	600:BLACK
6	B5421520000	1	ROLL CAGE BAR.MID.SIDE	710:SILVER
7	B54210300001	1	ROLL CAGE CROSS BAR.RR	
8	B54210010002	1	FRAME COMP	FOR LH-seat DRIVER
8	B54210010003	1	FRAME COMP	FOR RH-seat DRIVER
9	90200805500	16	BOLT-WASHER M8*1.25*55	
10	B5701070000	22	R-WASHER	
11	92040800003	6	NUT.FLANGE LOCK M8	
12	B56210000001	2	FENDER. FRT	ROUGH SURFACE
13	B570G010000	1	BRACKEY. FRONT FENDER. RH	
14	B5706010000	1	BRACKEY.FRONT FENDER. LH	
15	90020604000	2	BOLT	
16	92400600001	8	NYLON LOCK NUT M6	
17	90200601600	6	BOLT-WASHER M6*16	
18	B56610000001	2	HEADLIGHT UNIT	
19	B5661020000	4	RUBBER MOUNT.HEADLAMP	
20	B5661010000	2	BULB, HEADLAMP	

F2.	FRAME GROUP			
No.	Part No.	Q'ty	Part Name	Specification
21	98231205001	2	POSITION LAMP	
22	90200805000	2	BOLT-WASHER M8*50	
23	B5624500000	4	FOOT PLATE. RUBBER	
24	B5403810000	6	BOLT.BANJO	
25	B5403600000	1	HOSE ASSY.LBRAKE 34"	
26	B54036000001	1	HOSE ASSY.R BRAKE 43"	

F2.	FRAME GROUP			
No.	Part No.	Q'ty	Part Name	Specification
27	B54037000001	1	HOSE ASSY.RR BRAKE 75"	FOR LH-seat DRIVER
27	B54037000003	1	HOSE ASSY.RR BRAKE 75"	FOR RH-seat DRIVER
28	B5544800000	1	CABLE COMP.THROTTLE	FOR LH-seat DRIVER
28	B55448000001	1	CABLE COMP.THROTTLE	FOR RH-seat DRIVER
29	B55444000002	1	CABLE COMP. REVERSE	
30	B55444100002	1	CABLE COMP. PARKING BRAKE	
31	B5421450000	1	PGO PLATE	
32	90200601600	2	BOLT-WASHERM6*16	
33	92400600001	2	NYLON LOCK NUT. (M6)	
34	B5701160770	1	FRONT PLANK	
35	90190801200	2	HEXAGON FLANGE BOLT (M8*12L)	
36	90190802000	1	HEXAGON FLANGE BOLT (M8*20L)	
37	92040800000	1	HEXAGON FLANGE NUT (M8)	
38	90190601200	1	HEXAGON FLANGE BOLT (M6*12L)	
39	B5583600000	1	HORN.L	
40	92040600000	1	HEXAGON FLANGE NUT (M6)	
41	92021000001	2	HEXAGON NUT	
42	92141000000	2	WASHER	
43	B566C0100001	1	TIRN SIGNAL LAMP ASSY(FL)	
44	B566D0100001	1	TIRN SIGNAL LAMP ASSY(FR)	
45	B5663130000	2	BULB, TURN SIGNAL LAMP	
46	B5669010000	2	SIDE REFLECTOR, FRONT	
47	92040500001	1	HEXAGON FLANGE NUT (M5)	
48	92050500002	1	DOMED CAP NUT	
49	B561F020000	1	RH BACK MIRROR	
50	B561F010000	1	LH BACK MIRROR	
51	B5616000000	1	REAR MIRROR COMP.	
52	B5701010000	2	COVER. ROBE-RAIL, LONG	
53	B57010100001	2	COVER, MIDDLE RAIL	
54	B57010100002	2	COVER, SHORT RAIL	
55	B5421050000	8	TUBE SEAT	
56	B5421060000	2	TUBE SEAT	
57	B5616040000	1	MIRROR ASSY.	
58	B5616020000	1	SPRING.REAR MIRROR	
59	B5616010000	1	MOUNT.REAR MIRROR	
60	B5616030000	1	BOLT.	
60	B5616030000	1	BOLT.	
61	92141000002	12	WAHER	

F3. STEERING SHAFT ASSY.				
No.	Part No.	Q'ty	Part Name	Specification
1	B56120300001	1	COVER. STEERING BOLT	
2	90190601200	3	HEXAGON FLANGE BOLT	
3	B5612040000	1	BRACKEY. SPINDLE	
4	B56120000001	1	STEERING WHEEL	
5	B5612011000	1	STEERING SHAFT	
6	B76120500000	2	BUSH. STEERING SHAFT	NEEDLE BEARING
7	B5612060000	1	SPECIAL WASHER.	
8	B5706080000	1	CIRCLIP	
9	90020802503	2	BOLT M8*25	
10	92110800004	2	WASHER. LOCK	
11	B5612020000	1	STEERING KNUCKLE	
12	B5445000000	1	STEERING GEAR	
13	90200802500	4	BOLT-WASHER M8*1.25*25	
14	B5445080000	2	ROUND NUT M16*1.5	
15	B5445010000	2	STEERING BALL JOINT	
16	B5445020000	2	NUT	
17	B5445030000	1	DUST COVER. L BALL JOINT	
18	B5445040000	2	TIE ROD	
19	B5445050000	2	ROD END	
20	92141000014	2	WASHER. FLAT	
21	92111000003	2	WASHER. LOCK	
22	92071000000	2	NUT. CASTLE M10	
23	93520201501	2	PIN.COTTER 2*15	
24	B77060400000	2	DUSTFROOF COVER	
25	B54450701M0	2	BRACKET. STEERING GEAR	1M0:RED
25	B54450703D0	2	BRACKET. STEERING GEAR	3D0:GREEN
25	B54450704X0	2	BRACKET. STEERING GEAR	4X0:BLUE
25	B5445070600	2	BRACKET. STEERING GEAR	600:BLACK
25	B5445070710	2	BRACKET. STEERING GEAR	710:SILVER
26	92040800003	8	NUT.FLANGE LOCK M8	
27	B5404260000	1	BOLT	
28	B5404270000	1	SPRING	
29	90200804000	2	BOLT-WASHER M8*1.25*40	
30	92020800005	2	NUT M8	
31	B5404210000	1	THROTTLE PEDAL COMP.	
32	90070501501	2	SCREW. PAN M5*15	
33	92140500017	2	WASHER. FLAT	
34	92400500000	2	NYLON LOCK NUT M5	
35	B5404200000	1	BRAKE PEDAL COMP.	
36	93540602400	1	PIN. 6*24	
37	B5445090000	2	PIN. SPINDLE	
38	93520201201	1	PIN.COTTER 2*12	
39	B5543900000	1	SWITCH ASSY. BRAKE LAMP	
40	90070300600	2	SCREW. PAN M3*6	
41	B5404240000	4	BUSH. PEDAL	
42	B5404250000	1	SPRING. BRAKE PEDAL RETURN.R	
43	B5404230000	1	BOLT.BRAKE PEDAL	
44	B5403100000	1	MASTER CYLINDER	

F3. STEERING SHAFT ASSY.				
No.	Part No.	Q'ty	Part Name	Specification
45	90200802700	2	BOLT-WASHER M8*1.25*27	
46	B5404220000	1	"GO" PEDAL PAD	
47	B5404280000	1	"STOP" PEDAL PAD	
48	B5553000000	1	STEERING LOCK	
49	B5706110000	1	MASTER CYLINDER BRACKET	
50	B5445060000	1	DUST COVER. R BALL JOINT	
51	90260601001	2	INNER DOUBLE BOX-END BOLT W HEAD	

F4. SUSPENSION ARM ASSY.				
No.	Part No.	Q'ty	Part Name	Specification
1	B54211100001	1	SUPPORT. STRUT AND SPINDLE, RH	for iron wheel
2	90200810500	2	BOLT-WASHER M8*1.25*105	
3	B5446030000	2	COLLAR.UPPER SUSPENSION ARM	
4	B5446020000	4	BUSH.UPPER SUSPENSION ARM	
5	B5446010000	2	UPPER SUSPENSION ARM	
6	92040800003	2	NUT.FLANGE LOCK M8	
7	92091200001	4	SLOTING LOCK NUT M12	
8	B5446040000	4	DUST SEAL.BALL HEAD	
9	B5446050000	4	SPACER.BALL HEAD	
10	B54211200001	1	SUPPORT. STRUT AND SPINDLE, LH	for iron wheel
11	90200801400	4	BOLT STRAP M8*14	
12	B5447030000	4	COLLAR.LOWER SUSPENSION ARM	
13	90200601200	12	BOLT STRAP M6*12	
15	B5403310000	2	PAD SET, FRT.BRAKE CALIPER	
16	B5403300000	1	FRONT BRAKE CALIPER, LH	
17	B5403500000	2	DISC, FRT. BRAKE	
18	95572547700	2	DUST SEAL 47*25-7	
19	96510620404	2	BEARING 6204	
20	90201003100	8	BOLT. TIRE M10*1.25*31	
21	B54011300001	2	HUB.FR.WHEEL	for iron wheel
22	96510620303	2	BEARING 6203	
23	92041000003	8	NUT.FLANGE LOCK M10	for iron wheel
24	B540B3200001	2	TIRE, FRT (ON ROAD)	on road
24	B540B3200002	2	TIRE, FRT (off road)	off road
25	B5401100770	2	RIM, FRT (SILVER)	for iron wheel
26	92041000003	8	NUT, FLANGE LOCK M10	
27	92071400000	2	NUT. CASTLE M14	
28	93520303000	2	PIN.COTTER 3*30	
29	B54013100001	2	WHEEL RUBBER	for iron wheel

F4. SUSPENSION ARM ASSY.				
No.	Part No.	Q'ty	Part Name	Specification
30	90201004000	4	BOLT-WASHER M10*1.25*40	
31	B540C300000	1	FRONT BRAKE CALIPER, RH	
32	B54710000002	2	CUSHION ASSY., FRT	
33	90201008000	4	BOLT-WASHER M10*1.25*80	
34	B5447010000	8	DUST CAP.LOWER SUSPENSION ARM	
35	B5447020000	8	BUSH.LOWER SUSPENSION ARM	
36	95512100000	8	O-RING 21.2*2.65	
37	B5447000000	2	LOWER SUSPENSION ARM ASSY	
39	X040B330000	2	VALVE, TIRE	for iron wheel
40	92141000014	8	WASHER. FLAT	for iron wheel
41	92141400012	2	WASHER. FLAT	
42	95572742701	2	DUST SEAL 47*25-7	for iron wheel
43	93520302600	4	COTTER PIN	
44	B57012100000	6	OIL FILLER VALVE	

F5. REAR CARGO RACK/ SEAT/ BELT				
No.	Part No.	Q'ty	Part Name	Specification
1	P166F0400006	2	BULB, BACK LAMP	
2	P16660000007	2	BACK LAMP ASSY	
3	92040600000	4	HEXAGON FLANGE NUT	
4	B56762001M01	1	REAR CARGO RACK (RED)	1M0:RED
4	B56762003D01	1	REAR CARGO RACK (GREEN)	3D0:GREEN
4	B56762004X01	1	REAR CARGO RACK (BLUE)	4X0:BLUE
5	C5669000000	2	REFLECTOR	
6	B55215001M0	1	TANK COMP. FUEL (RED)	1M0:RED
6	B55215003D0	1	TANK COMP. FUEL (GREEN)	3D0:GREEN
6	B55215004X0	1	TANK COMP. FUEL (BLUE)	4X0:BLUE
7	B55213000001	1	CAP COMP., FUEL FILLER	
8	90200802500	4	BOLT-WASHER M8*1.25*25	
9	B5706050000	4	COLLAR.TANK COMP.	
10	B5701040000	4	RUBBER MOUNT	
11	920408000003	4	NUT.FLANGE LOCK M8	
12	92220800001	1	BOARD CLAMP	
13	B552F0410000	1	GASOLINE HOSE	
14	B5523000000	1	FUEL AUTOCOCK ASS'Y.	
15	P652A0100001	1	FILTER	
16	B5526022000	1	GASOLINE HOSE	
17	E1706020000	3	HOSE CLAMP	
18	92220900001	2	HOSE CLAMP	
19	B5706030000	6	BOLT. SPECIAL	
20	B5701050000	6	WASHER.BELT	
21	B5706040000	6	NUT. BELT	
22	B5671020000	2	BELT, SAFETY	
23	B65260200000	1	RUBBER HOSE	
24	B5671010000	2	HEAD-REST	
25	B5671000000	1	SEAT COMP., LH	LH-SEAT DRIVER
25	B567A0000001	1	SEAT COMP., LH	RH-SEAT DRIVER
26	B567A000000	1	SEAT COMP.,RH	LH-SEAT DRIVER
26	B56710000001	1	SEAT COMP.,RH	RH-SEAT DRIVER
27	B5671300000	1	RAIL SET.SEAT	
28	B566D010000	1	TIRN SIGNAL LAMP ASSY(RL)	
29	92141000000	2	PLAIN WASHER	
30	92021000001	2	HEXAGON NUT	
31	92140500014	2	PLAIN WASHER	
32	92020500000	2	HEXAGON NUT	
33	B566C010000	2	TIRN SIGNAL LAMP ASSY(RR)	
34	B5701060000	1	COVER.TUBE	
35	B5421060000	2	TUBE SEAT	
36	B5701030000	2	R-WASHER	
37	90200805500	2	BOLT-WASHER M12*1.25*55	
38	B56762101M0	2	SUPPORTER.REAR CARGO RACK (RED)	1M0:RED
38	B56762103D0	2	SUPPORTER.REAR CARGO RACK (GREEN)	3D0:GREEN
38	B56762104X0	2	SUPPORTER.REAR CARGO RACK (BLUE)	4X0:BLUE
39	90200802000	4	BOLT-WASHER M8*1.25*20	
40	920408000003	4	NUT.FLANGE LOCK M8	

F5. REAR CARGO RACK/ SEAT/ BELT				
No.	Part No.	Q'ty	Part Name	Specification
41	90020804001	4	BOLT STRAP M8*1.25*40	
42	92040800003	2	NUT.FLANGE LOCK M8	
43	B57012300000	1	TOOL BOX	
44	90020601600	2	HEXAGON BOLT	
45	92040600004	2	HEXAGON FLANGE NUT	
46	P6706540000	1	TOOL KIT	BR150
47	B5706140000	2	BOLT. SPECIAL	
48	P56669000001	1	TAIL LIGHT	
49	P566F960000	1	BULB.LICENCE LIGHT	
50	90110401200	2	TAPPING SCREW	

F6. REAR SWING ARM ASSY. UPPER				Specification
No.	Part No.	Q'ty	Part Name	
1	B64211010000	2	JOINT, LOWER ARM	
2	92022700001	2	HEXAGON NUT	
3	B64215010000	2	REGULATE BOLT	
4	92022700000	2	HEXAGON NUT	
5	B5483060000	2	CON'ROD	
6	90210801601	4	HEXAGON SCOKET SCREW	
7	B5483080000	4	SPACER.CON'ROD	
8	B5483070000	8	BUSH.CON'ROD	
9	B54830106002	1	REAR SWING ARM ASS'Y., UPPER	
10	90201206000	2	BOLT-WASHER M12*1.25*60	
11	92041200003	2	NUT.FLANGE LOCK M12	
12	90070605500	2	SCREW. PAN M6*55	
13	B5624060000	1	COVER.ELECTAIC ASS'Y	
14	B5451020000	2	COVER.REVERSE LEVER	
15	92400800002	6	NYLON LOCK NUT M8	
16	90200802000	2	BOLT-WASHER M8*1.25*20	
17	B5451050000	2	ROD ADJUSTING.CABLE	
18	B5451080000	2	SPRING.LEVER	
19	B5451010000	2	BRACKET.LEVER	
20	92040800003	2	NUT.FLANGE LOCK M8	
21	90200803001	2	BOLT M8X30	
22	B5451060000	2	LEVER.REVERSE,PARKING BRAKE	
23	B5451070000	1	SPRING.CABLE	
24	B5451090000	4	SPACER.LEVER	
25	90200804000	2	BOLT-WASHER M8*1.25*40	
26	92140500017	2	PLAIN WASHER	
27	90070501200	2	SCREW. PAN M5*12	
28	B545A060000	2	COVER.LEVER.GREEN/GREEN	
28	B545A060600	2	COVER.LEVER.GREEN/BLACK	
29	B5451000000	1	PARING BRAKE/REVERSE LEVER ASS'Y	
30	B5483040000	4	BUSH.SWING ARM	
31	B5483050000	2	COLLAR.SWING ARM	
32	92040500000	2	HEX FLANGE NUT	
33	90210501400	2	HEX SOCKET BOLT	

F7.	REAR SWING ARM			
No.	Part No.	Q'ty	Part Name	Specification
1	90201004000	4	BOLT-WASHER M10*1.25*40	
2	92041000003	4	NUT.FLANGE LOCK M10	
3	B54810000002	2	CUSHION ASS'Y.RR	
4	90200810000	1	BOLT STRAP M8*1.25*100	
5	B5634020000	1	BRACKET REAR FENDER.L	
6	92400600001	12	NYLON LOCK NUT M6	
7	90200804500	2	BOLT-WASHER M8*1.25*45	
8	90200601600	12	BOLT-WASHER M6*16	
9	B5634010000	1	COVER, DISC.RR	
10	90200801201	1	BOLT STRAP M8*1.25*12	
11	B5634030000	1	BRACKET REAR FENDER, RH	
12	B74074100000	1	PAD SET.RR.BRAKE	
13	B74066000000	1	CALIPER ASS'Y., RR	
14	B5406610000	1	GUARD.CHAIN.DISC	
15	B5624030000	1	COVER.BATTERY	
16	B5583030000	1	BAND, BATTERY	
17	B5583010000	1	CUSHION.BATTERY UNDER	
18	M2583000000	1	BATTERY	
19	B54830000002	1	RR.SWING ARM COMP., UNDER	
20	92041200003	2	NUT.FLANGE LOCK M12	
21	B5701020000	2	CUSHION BUSH.SWING ARM	
22	90201206000	2	BOLT-WASHER M12*1.25*60	
23	B56340000001	2	FENDER, RR	ROUGH SURFACE

F8. REAR HOUSEING				
No.	Part No.	Q'ty	Part Name	Specification
1	90200802200	4	BOLT-WASHER M8*1.25*22	
2	B5406800000	1	DISC.RR.BRAKE	
3	92040800003	14	NUT.FLANGE LOCK M8	
4	B54074300001	1	REAR AXLE	
5	B5485000002	1	DRIVING CHAIN 54 LINKS	54 LINKS
6	B5485020000	1	REAR SPROCKET	
7	90200802700	4	BOLT-WASHER M8*1.25*27	
11	B5407460000	2	BEARING BASE	
12	90200804000	6	BOLT-WASHER M8*1.25*40	
13	B5407170000	2	DUST SEAL	
14	90191003100	8	BOLT. TIRE M10*1.25*31	
15	B54071300001	2	HUB.REAR AXLE	for iron wheel
16	B540G3200001	2	TIRE, RR (ON ROAD)	on road
16	B540G3200002	2	TIRE, RR (off road)	off road
17	B5407140770	2	RIM, RR (SILVER)	iron wheel
20	92141000014	8	WASHER	for iron wheel
21	92041000003	8	NUT.FLANGE LOCK M10	for iron wheel
22	B5407480000	2	SPACER.RR.WHEEL	for iron wheel
23	B5407470000	2	HOLDER.RR.COVER	for iron wheel
24	B5407160000	2	NUT.CASTLE	
25	93520403000	2	PIN.COTTER 4*30	
26	B54013100001	2	WHEEL RUBBER	for iron wheel
27	B5485030000	1	MASTER LINK, CHAIN	
31	B5407500000	1	WASHER	
32	B5407510000	1	BEARING NUT	
33	X040B330000	2	VALVE, TIRE	for iron wheel
34	B5706120000	1	FIXED PLATE, SPEEDOMETER	
35	90130501400	3	CR ROUND HD TAPPING M5*14L	
36	X0561062000	1	FIXED PLATE 2, SENSOR	

F8. REAR HOUSEING				
No.	Part No.	Q'ty	Part Name	Specification
37	B5561000000	1	SPEEDOMETER ASSY.	
38	90050301000	2	C-R MACHINE TRUSS HD, TAPPING SCREW	
39	B54212620000	1	FIXED PLATE, SENSOR	
40	B556A040000	2	RUBBER SPACER	
41	B556A050000	4	WASHER	
42	B556A060000	2	SPRING WASHER	
43	B556A070000	2	NUT	
50	B556A030000	1	MAGNET. SENSOR	
51	B556A020000	1	SENSOR	
52	B54075200000	1	HOUSING RR.AXLE BRG ASSY.,LH	8+9+10=NO.52=B54075200000
53	B54075300000	1	HOUSING RR.AXLE BRG ASSY.,RH	8+28+29+30=NO.53=B54075300000
54	92141400012	2	WASHER	

F9. WIRE HARNESS / ELECTRICAL				
No.	Part No.	Q'ty	Part Name	Specification
1	B55816000005	1	WIRE HARNESS. (used with item #37)	BR200
2	B5583021000	1	BATTERY (+,-) LINE COMP	
3	B5613010650	1	SPEEDOMETER COVER	LEFT-SEAT DRIVER
3	B56130106501	1	SPEEDOMETER COVER	RIGHT-SEAT DRIVER
4	B65520000000	1	IGNITION SWITCH	
5	B5582610000	1	PARKING BUTTON	
6	B5545010000	1	HEADLAMP SWITCH	
7	90190602000	2	HEXAGON FLANGE BOLT	
8	90190601200	1	HEXAGON FLANGE BOLT	
9	ES584000000	1	RECTIFIER COMP.REGULATE	
10	C75820000001	1	UNIT COMP.,C.D.I	
11	C1581001000	1	STARTING RELAY	
12	92030600004	2	HEXAGON NUT	
13	ES581200000	3	RELAY	
14	90070502000	1	C-R MACHINE TRUSS HD, TAPPING SCREW	
15	P15866000002	1	RESISTOR COMP.	
16	B55846000003	1	COIL COMP.IGNITION ASSY.	
20	90190602700	2	HEXAGON FLANGE BOLT (M6*27L)	
17	C15825010000	1	HEADLAMP CONTROLLER	
18	92110500000	1	SPRING LOCK WASHER	
19	B5545030000	1	HORN BUTTON	
20	B5583040000	1	12V POWER SUPPLY	
21	B5553000000	1	STEERING LOCK	
22	B65510000000	1	LOCK COMP.	
23	90260601001	2	HEAD INNER BOLT	
24	90190601200	1	HEXAGON FLANGE BOLT(M6*15)	
25	B5583600000	1	HORN.	
26	98701205000	1	FUSE 5A	
27	98701210000	2	FUSE 10A	

F9. WIRE HARNESS / ELECTRICAL				
No.	Part No.	Q'ty	Part Name	Specification
28	98701215000	2	FUSE 15A	
29	98701200000	5	CASE, FUSE	included in #1
30	P2586011000	1	SIGNAL FLASHER	
31	B5581620000	2	SAFETY SWITCH, REVERSE GEAR	
32	B5451101000	2	SPRING	
33	C1581300000	1	REVERSE SAFETY UNIT	
34	B5545020000	1	SIGNAL SWITCH	
35	B5301110000	2	CAP, SAFETY SENSOR	
36	92370500003	4	U TYPE SPRING NUT	
37	90150501600	4	CR TRUSS HD TAPPING SCREW	(M5*16L)

F10.		WARNING LABELS		
No.	Part No.	Q'ty	Part Name	Specification
1	B56031010000	1	LABEL.REVERSE LEVER	
2	B56030210000	1	LABEL.PARKING BRAKE	
3	B56031610000	1	LABEL.SEAT BELT	
4	B56031210000	1	LABEL.NO LONG HAIR	
5	B56031310000	1	LABEL.WARNING	
6	B56031410000	1	LABEL.NO CLIMBING	
7	B56031910000	1	LABEL.WARNING GEAR SHIFTING	
8	B56031510000	1	LABEL.WARNING	
9	B56011900000	1	START FACEPLATE LABEL	LEFT-SEAT DRIVER
9	B56012200000	1	START FACEPLATE LABEL	RIGHT-SEAT DRIVER
10	B56012000000	2	LABEL. ASSY	
11	B56012300000	2	BR-200 LABEL	
12	B66010400000	1	PGO LABEL BLACK	BLACK
13	B76010200000	1	RUH veneer board label(black)	black
13	B76010200001	1	RUH veneer board label(silver)	silver
14	B76010300000	1	LUH veneer board label(black)	black
14	B76010300001	1	LUH veneer board label(silver)	silver
15	B76010400000	1	RDH veneer board label(black)	black
15	B76010400001	1	RDH veneer board label(silver)	silver
16	B76010500000	1	LDH veneer board label (black)	black
16	B76010500001	1	LDH veneer board label (silver)	silver
17	B76010600000	1	R headlight veneer board label(black)	black
17	B76010600001	1	R headlight veneer board label (silver)	silver
18	B76010700000	1	L headlight veneer board label (black)	black
18	B76010700001	1	L headlight veneer board label (silver)	silver
19	C1601580000	1	WINDSHIELD PGO STICKER,LH	
20	C1601590000	1	WINDSHIELD PGO STICKER,RH	
21	X2601120000	1	silver PGO sticker for tank	silver PGO for tank
21	M2601020000	1	black PGO for tank	black PGO for tank

F10.	WARNING LABELS			
No.	Part No.	Q'ty	Part Name	Specification
22	B76030200000	1	SHIFTING GEAR BOX WARNING LABEL	
23	B76030700000	1	16	
24	B76010800000	1	BRAND MARK LABEL	FOR ENGLAND ONLY